

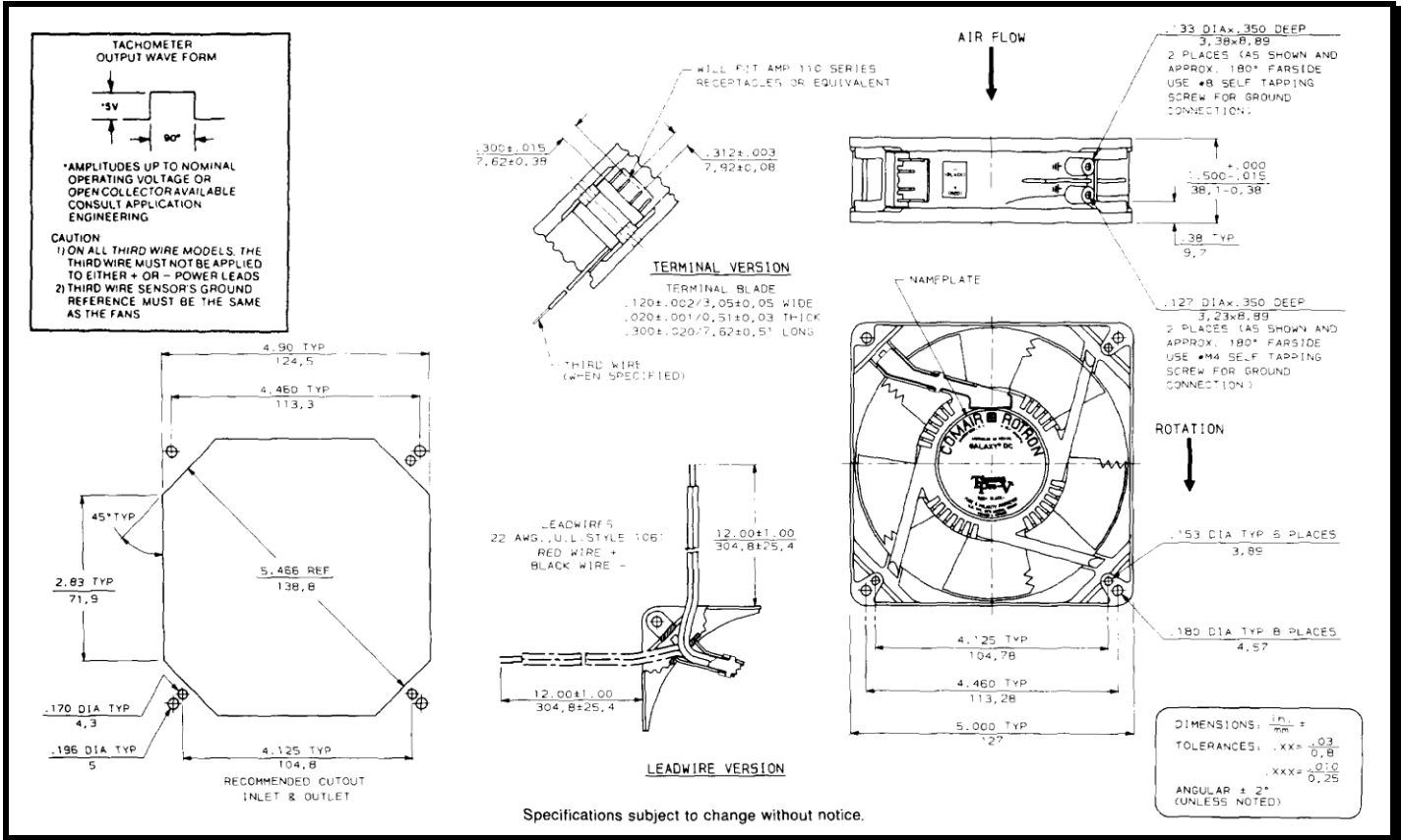
SPECIFICATIONS



Model Number: GL12B7
Part Number: 19031200A

March 19, 2004

Mechanical Drawing:



Motor:

Nominal Voltage = 12 vdc
 Operating Voltage Range = 6 - 14 vdc
 Nominal Running Current = 1.30 amps
 Locked Rotor Current = 3.00 amps
 Running Power = 16.0 watts
 Average Speed = 3200 rpm
 Bearings = Ball
 Air Flow = 150 CFM
 Acoustic = 53.6 dBA

Construction:

Venturi: Die Cast Zinc, Black
 Propeller: Plastic, Black, UL 94V-0

Life Expectancy:

This fan is designed for continuous duty life of 90,000 hours at 40°C.

Agency Approvals:

UL

Additional Features:

Brushless DC Motor
 Locked Rotor Protection
 Automatic Restart Capability
 Polarity Protected
 Operating Temperature: -10°C to 70°C
 Storage Temperature: -40°C to 85°C

Tachometer Output:

Output: 5 volt TTL Compatible
 I_c : 5 mA Typical
 Pulses per Revolution: 2
 Isolated: No

Termination:

12" Lead wires, 22 AWG, UL 1061
 Red - Fan Power (+)
 Black - Fan Ground (-)
 Blue/White - Tachometer (Output)