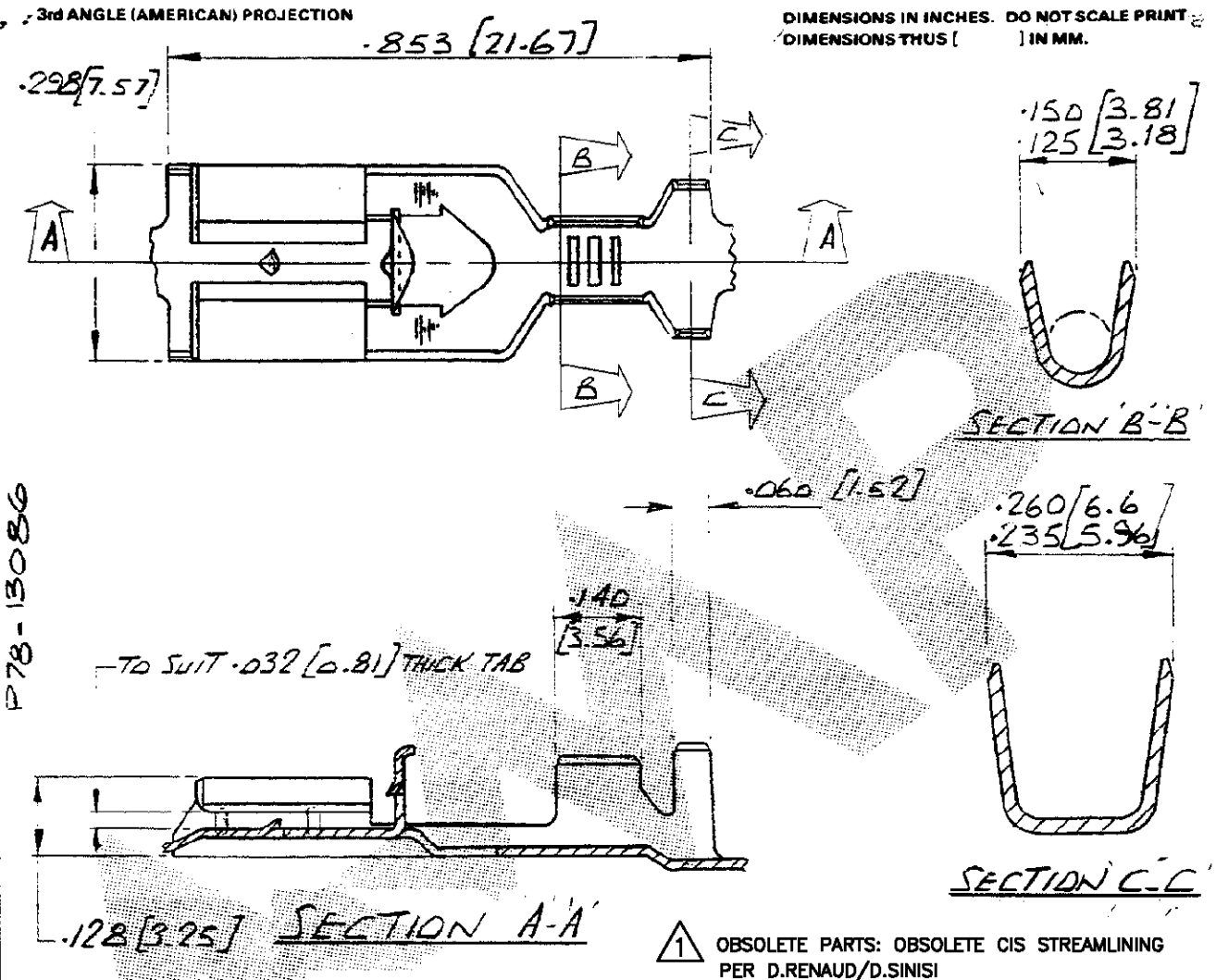


C:341298



P78-13086

⚠ OBSOLETE PARTS: OBSOLETE CIS STREAMLINING PER D.RENAUD/D.SINISI

LOOSE PIECE PART NO	PART NO	MATERIAL	FINISH
	341411-1	1-341298-2	BRASS
⚠ OBSOLETE	341411-2	1-341298-1	BRASS
AUSTRALIAN PROD ONLY	341411-5	341298-5	NICKEL SILVER
	341411-4	341298-4	PHOSPHOR BRONZE
⚠ OBSOLETE	341411-3	341298-3	PHOSPHOR BRONZE
	341411-2	341298-2	BRASS
	341411-1	341298-1	BRASS

F1	ECO-09-026346	KK	AEG	28NOV88	© AMP of GREAT BRITAIN LTD 1978	CUSTOMER COPY REFERENCE ONLY
F	1--2 ADDED	R.P.	5574	26790	MATERIAL AND FINISH SEE TABLE	AMP of Great Britain Ltd.
E	1--1 ADDED	DR	5561	28.1.88	WIRE - RANGE - INSULATION 1-2.5mm ² 2.6mm-3.6mm	
D	341298-4 & 5 OBSOLETE	A.B.H.	5055	29.9.88	TOLERANCE EXCEPT AS NOTED ± 0.15 [0.38] ± 1° 0'	TYPE
C	-5 MAT. NICKEL SILVER ADDED	DR	5561	30.1.88	LOC	NO
B	-5 MATERIAL: NICKEL SILVER DELETED	A.H.	-	14.83	E	A
ISS	REVISION RECORD	DR	CHK	DATE	C:341298	
DR	C.F. SLOUGH 9/1/78	DE	J.P. 5.7.78	APP	NAME POSITIVE LOCK RECEPTACLE MK II (250)	
CHK	J.P. 5.7.78	APP				