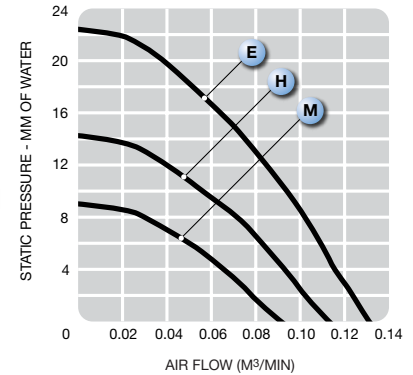
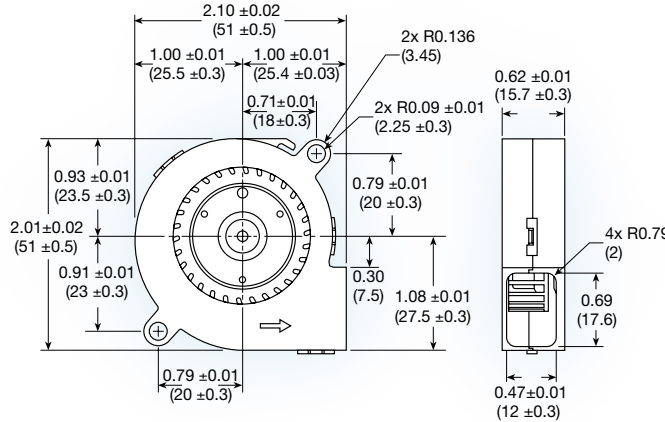


B5015 series



(51 x 51 x 15 mm)

2.01 x 2.01 x .62 inches

Construction: UL94V-0 PBT impeller & frame

Bearing option: ball bearing

Connection: AWG 26, UL1061 lead wires

Protection: thermal

Options: tachometer output signal

Model No.	Rated Voltage V	Current mA			Speed RPM	Air Volume		Max. Static Pressure (H ₂ O)		Sound Noise db	Weight g
		5	12	24		M ³ /Min.	CFM	MM	INCH		
B5015M	5/12/24	280	130	90	4,500	0.09	3	8.98	0.35	35	25
B5015H	5/12/24	400	200	130	5,500	0.11	4	14.28	0.56	40	25
B5015E	12/24	–	300	180	6,500	0.13	5	22.45	0.88	45	25

