

**60**mm sq.

# San Ace 60



## General Specifications

- Material ..... Frame: Plastics (Flammability: UL94V-0),  
Impeller: Plastics (Flammability: UL94V-0)
- Expected Life ..... Refer to specifications (L10:Survival rate:90% at 60°C ,  
rated voltage, and continuously run in a free air state)
- Lead Wire ..... Inlet ⊕red ⊖black (Sensor) yellow (Control) brown  
Outlet ⊕orange ⊖gray (Sensor) purple (Control) white
- Storage Temperature ..... -30°C to +70°C (Non-condensing)

**60×60×76**mm (Mass : 270g) **9CRA type**

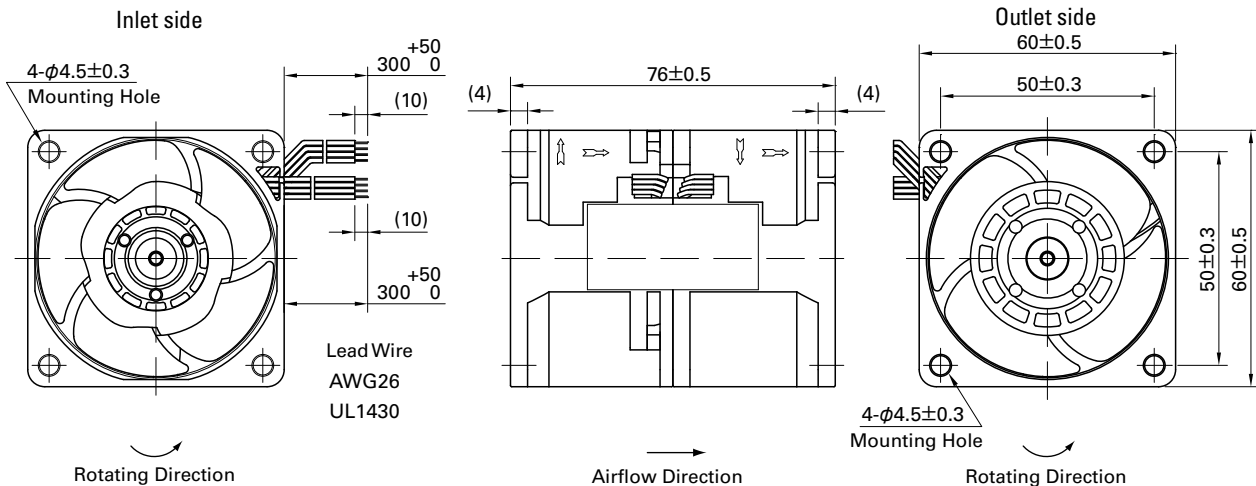
## Specifications

The following nos. **have PWM controls and pulse sensors.**

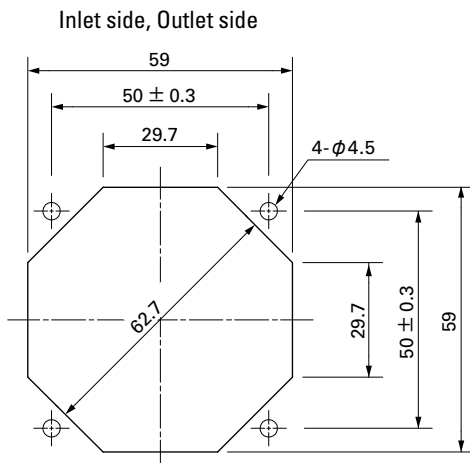
Model No.	Rated Voltage [V]	Operating Voltage Range [V]	PWM duty cycle* [%]	Rated Current [A]	Rated Input [W]	Rated Speed [min <sup>-1</sup> ]		Max. Airflow [m <sup>3</sup> /min] [CFM]		Max. Static Pressure [Pa] [inchH <sub>2</sub> O]		SPL [dB(A)]	Operating Temperature [°C]	Expected Life [h]
						Inlet	Outlet							
9CRA0612P0G001	12	10.8 to 13.2	100	2.3	27.6	16,500	13,000	2.0	70.6	1,000	4.0	66	-20 to +70	40,000/60°C (70,000/40°C)
			0	0.22	2.7	3,600	2,800	0.43	15.1	47.6	0.19	32		
9CRA0612P0S001			100	1.5	18.0	14,000	11,000	1.7	60.0	720	2.89	63		
			0	0.17	2.1	3,200	2,500	0.38	13.4	37.6	0.15	29		

\*PWM Frequency : 25kHz

## Dimensions (unit: mm)



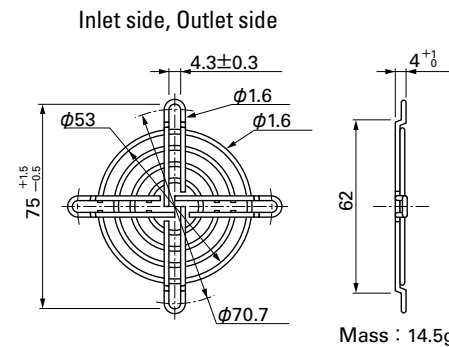
## Reference Dimensions of Mounting Holes and Vent Opening (unit: mm)



## Options (unit: mm)

### Finger Guards

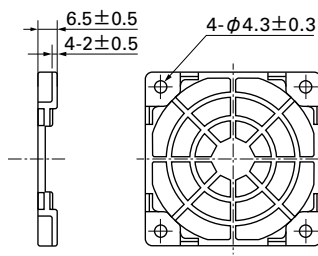
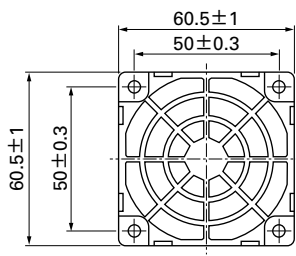
Model : 109-139E Surface treatment : Nickel-chrome plating (silver)  
: 109-139H : Cation electropainting (black)



**Options (unit: mm)**

**Resin Finger Guards**

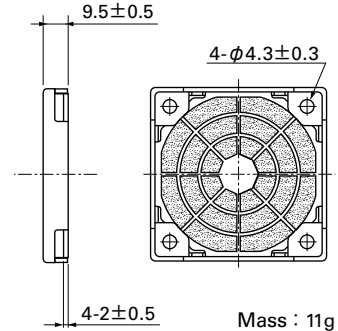
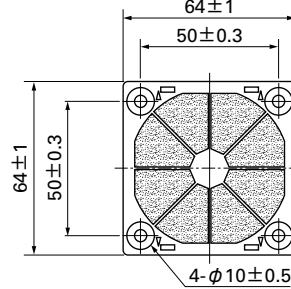
Model : 109-1003G



Mass : 7g

**Resin Filter Kits**

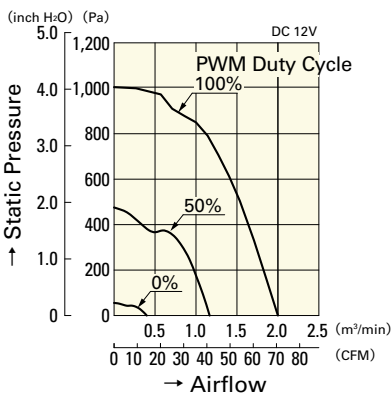
Model : 109-1003F13 (13PPI), 109-1003F20 (20PPI)  
: 109-1003F30 (30PPI), 109-1003F40 (40PPI)



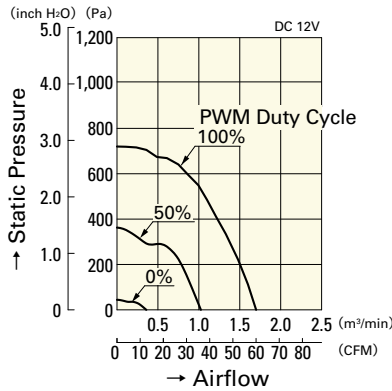
Mass : 11g

**Airflow - Static Pressure Characteristics**

**PWM Duty Cycle**

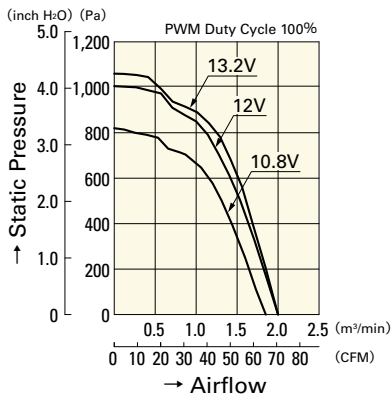


**9CRA0612P0G001**

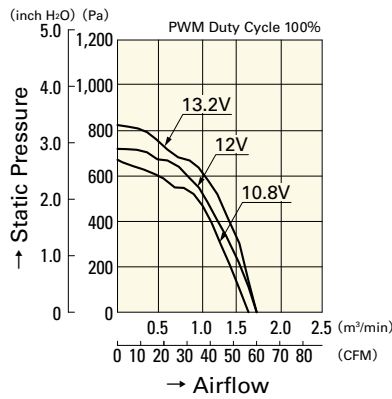


**9CRA0612P0S001**

**Operating Voltage Range**

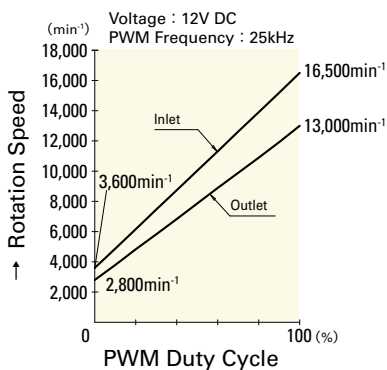


**9CRA0612P0G001**

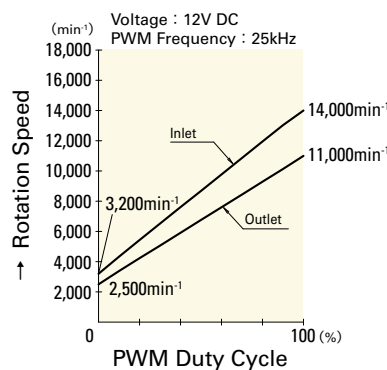


**9CRA0612P0S001**

**PWM Duty - Speed Characteristics Example**



**9CRA0612P0G001**



**9CRA0612P0S001**