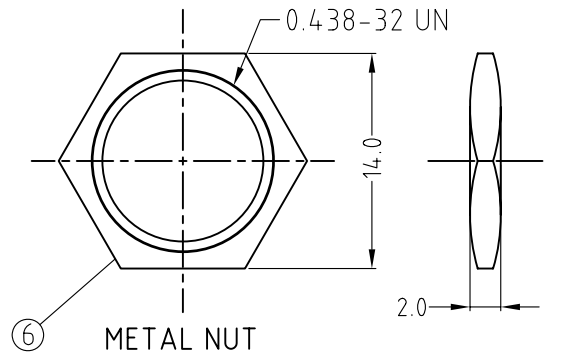
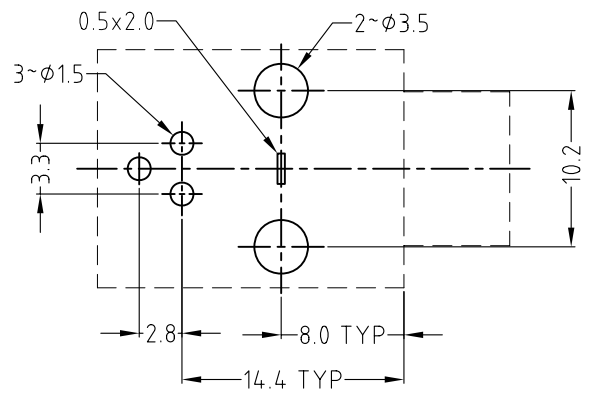


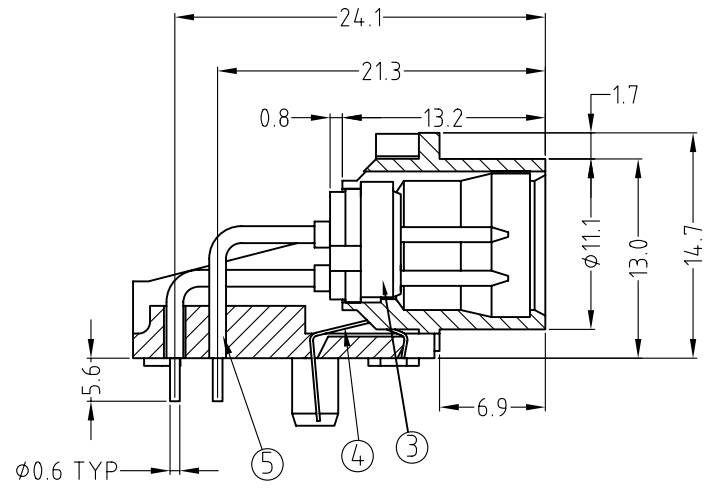
ISO VIEW



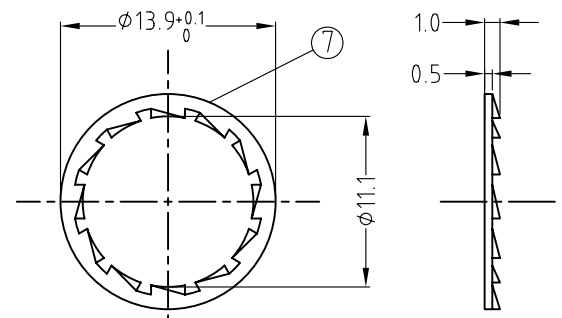
METAL NUT



PCB LAYOUT



HALF-SECTION



STAR WASHER

Specification: Electrical

Contact Resistance: <0.01 ohm
 Insulation Resistance: >500Megaohm
 Dielectric Strength: 1000VDC
 Rated Current: 5A

Mechanical

Mating: >5000 cycles
 Insertion/withdrawal Force: >10N & <30N.

Notes:

- 1. Part must conform to RoHS compliance
- 2. Plastic parts conform to UL94 V-0 compliant.

ITEM	MATERIAL	ITEM
1	PA+30%GF/BLACK, UL 94 V-0	1
2	BRASS-NICKEL PLATED	1
3	PA6/BLACK, UL 94 V-0	1
4	SUS 301/TIN PLATING	1
5	BRASS-GOLD PLATED	3
6	BRASS-NICKEL PLATED	1
7	BRASS-NICKEL PLATED	1

UNLESS OTHERWISE SPECIFIED TOLERANCE TO BE		THIS DOCUMENT IS THE PROPERTY OF AMPHENOL AUSTRALIA PTY. LTD.. NO PART THEREOF MAY BE REPRODUCED AND USED WITHOUT THE PRIOR WRITTEN CONSENT OF THE OWNER			
LINEAR	ANGULAR	CAD FILE:	DRN:	DATE:	TITLE:
X ± 0.5	X° ± 1°	55010613000110	M.N.H	04-08-09	MINI XLR 3 PIN MALE
X.X ± 0.1	X°X' ± 30'	MATL: SEE NOTES	CKD: M.H.	DATE: 13-11-09	PANEL MOUNT RA PCB
X.XX ± 0.05	X°X'X" ± 15"	DO NOT SCALE	APP'D: M.H.	DATE: 13-11-09	CUSTOMER DRAWING
DIMENSIONS IN MILLIMETRES		FINISH: SEE NOTES	SCALE: NTS	PART No: AG3MCC	SIZE: A4

REV.	CHANGE DETAILS	BY	DATE	CHG/No
1	CHANGE PART NUMBER FROM AGx-F-C TO AGx-FL	M.H	13-11-09	8868
0	FIRST ISSUE	M.N.H	04-08-09	----

Amphenol
 Amphenol Australia Pty.Ltd, 2 Freeways Blvd, Keysborough, Vic.3173
 DRAWING NO. 55010613-000-1
 SHEET 1 OF 1