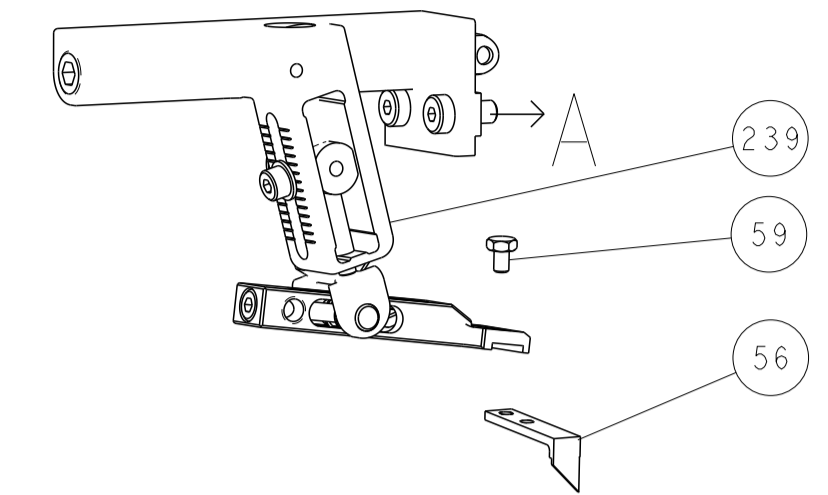
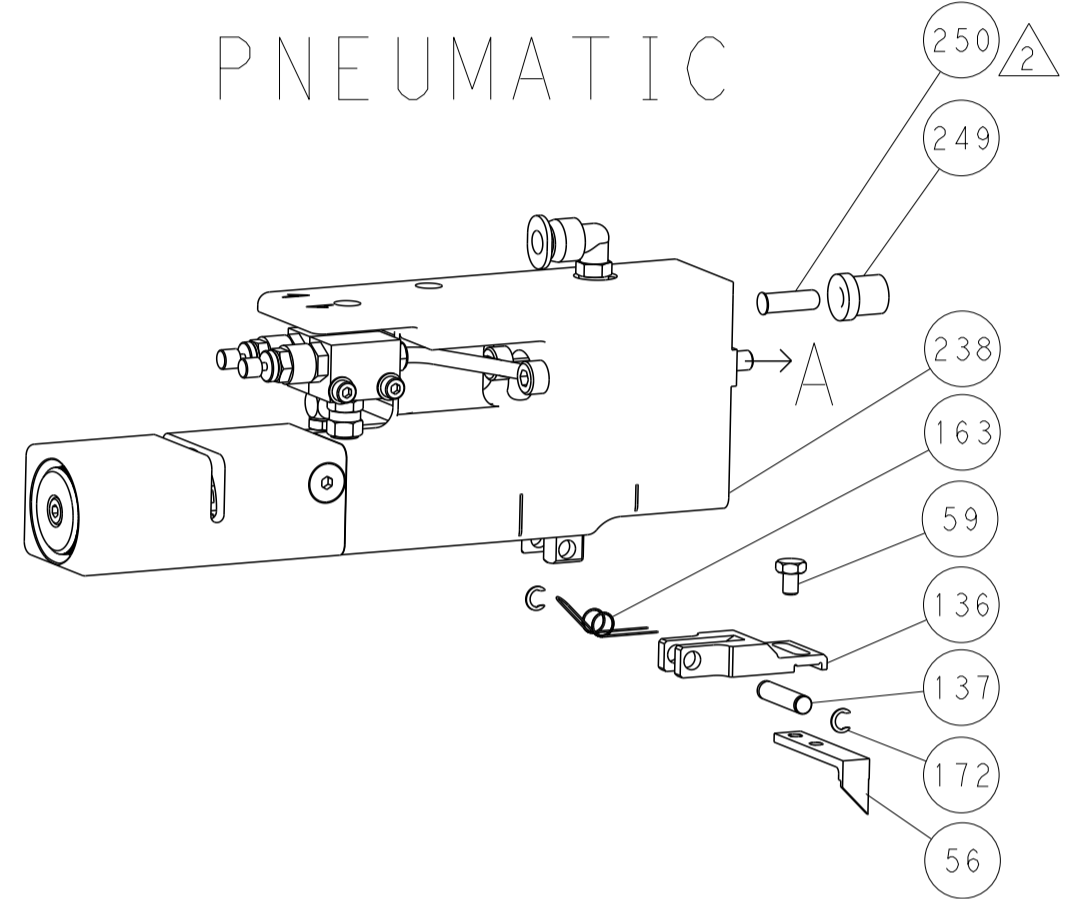


LOC		DIST		REVISIONS			
A	66	P	LYN	DESCRIPTION	DATE	OWN	APVD
		-		SEE SHEET 1			

FEED TYPE MECHANICAL



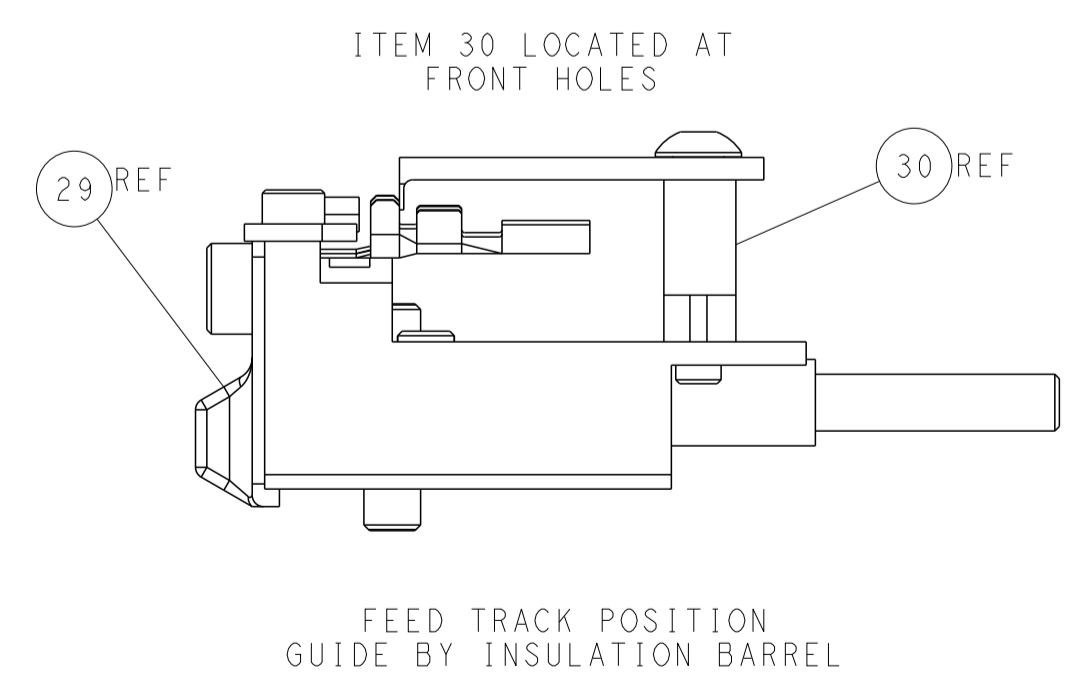
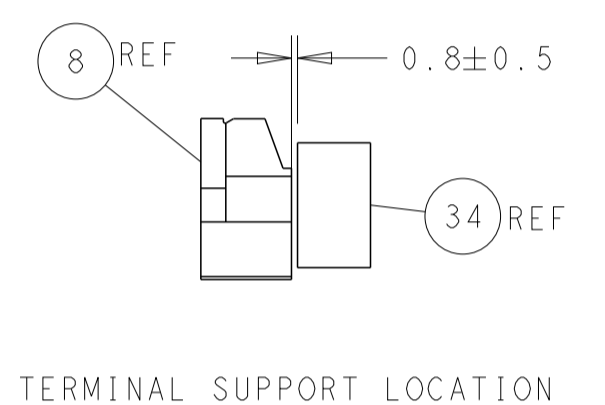
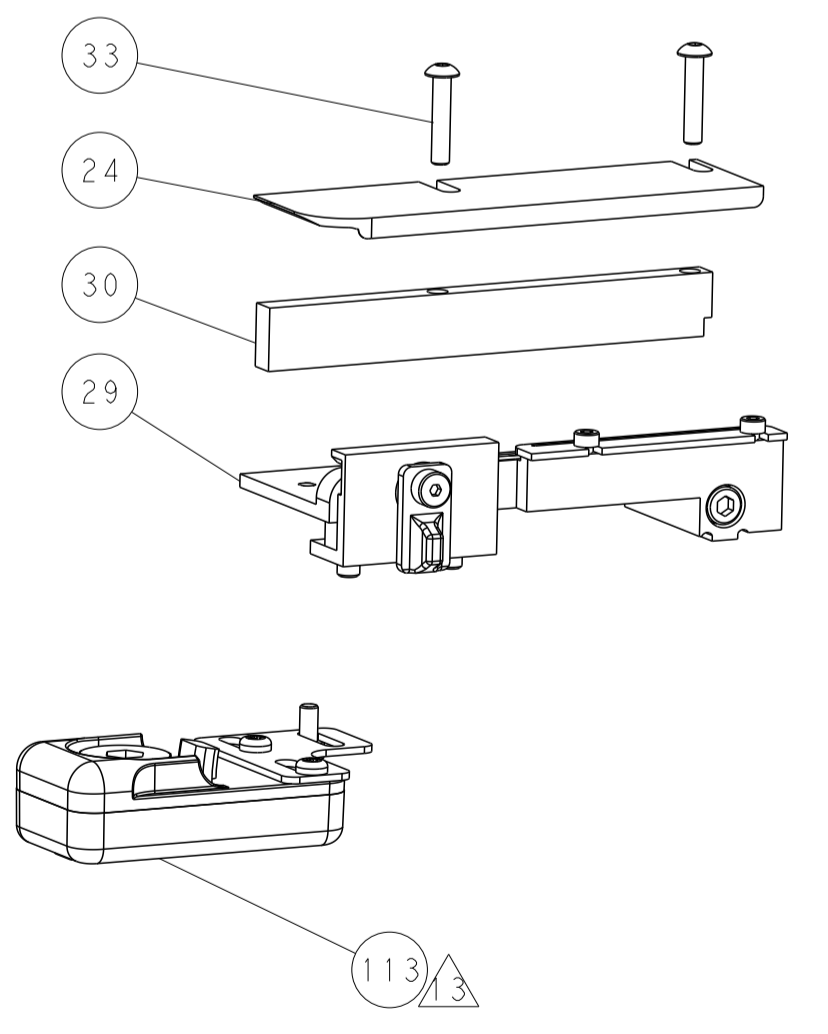
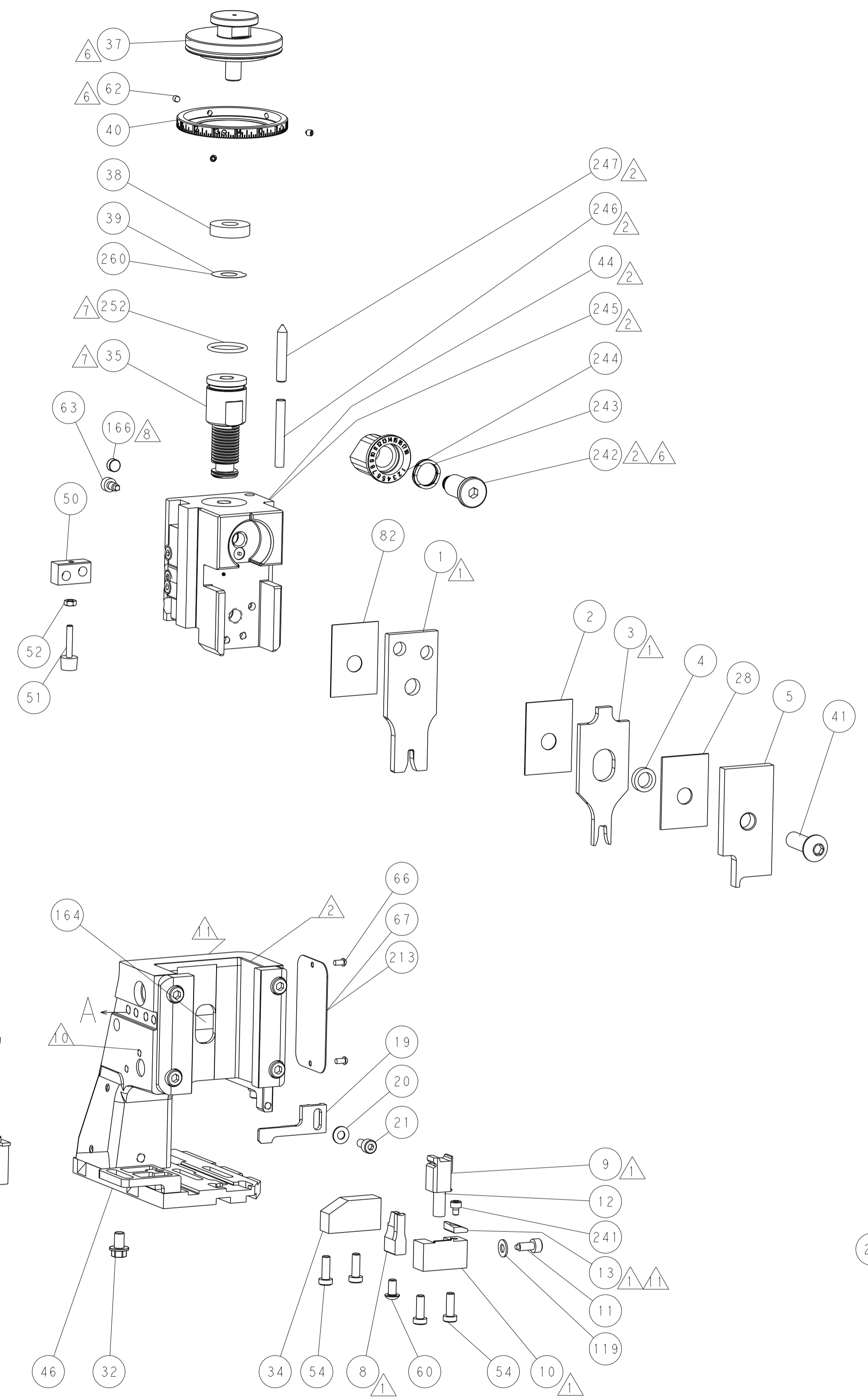
PNEUMATIC



SERVO LATCH PLATE



CAM POSITIONS

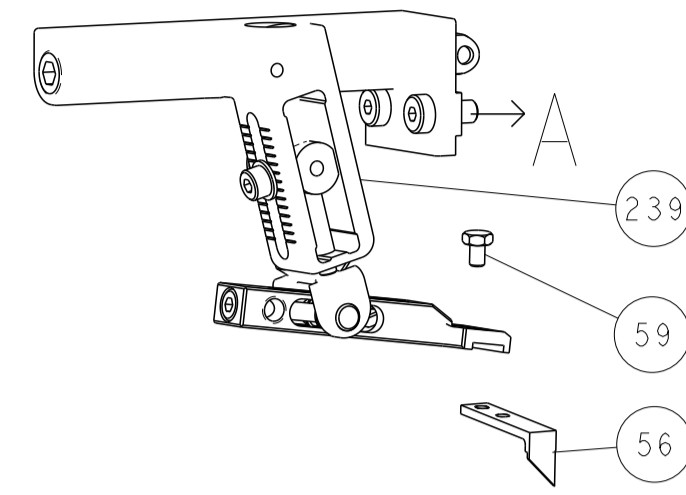


ATLANTIC VERSION
 Shown on sheets 1 of 4 & 2 of 4
 (Pacific version shown on sheets 3 of 4 & 4 of 4)

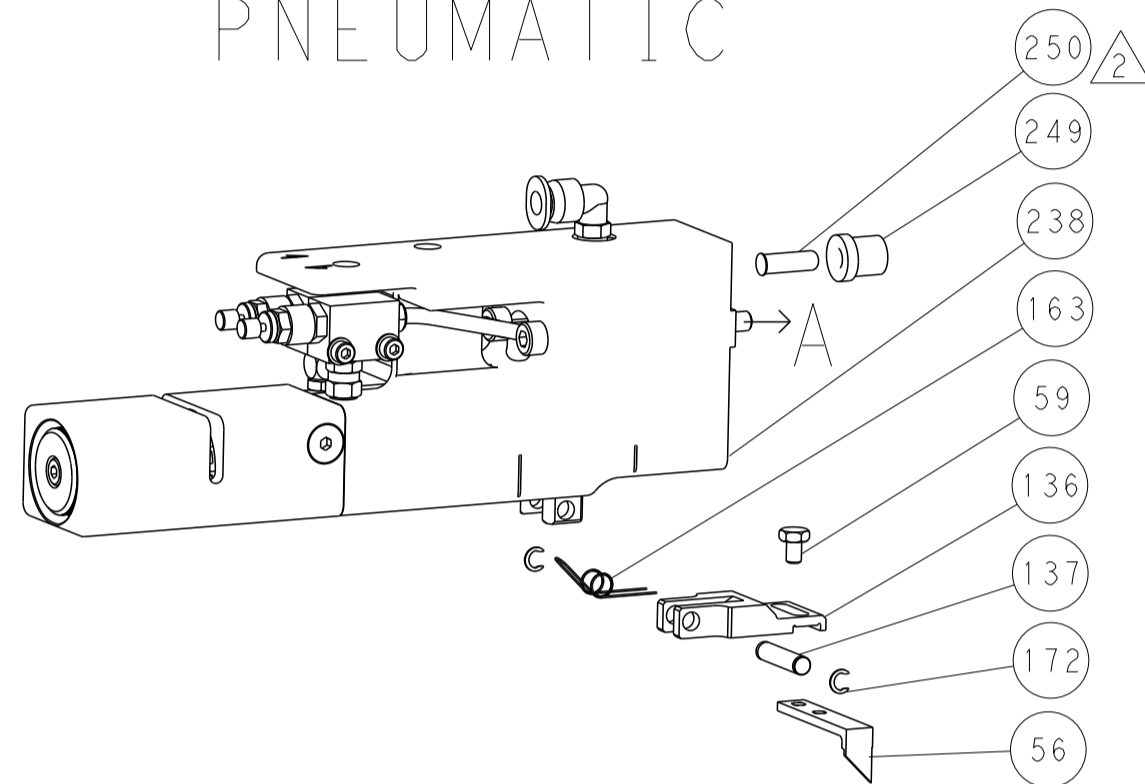
DIMENSIONS:		TOLERANCES UNLESS OTHERWISE SPECIFIED:		DWG: X.ZHAO 24JAN2013		TE Connectivity	
mm	0 PLC	±		CHK: L.ZHANG 24JAN2013	NAME	Harrisburg, PA 17105-3608	
	1 PLC	±		APVD: T.ELBIN 24JAN2013	Ocean Side Feed Applicator		
	2 PLC	±		Customer Accessible Production Drawing			
	3 PLC	±		SCALE: 1:2 SHEET 2 OF 4 REV B			
	4 PLC	±		Customer Accessible Production Drawing			
MATERIAL:	FINISH:	WEIGHT:	SIZE:	CAGE CODE:	DRAWING NO:	RESTRICTED TO:	
			A1	00779	©=2266067		

LOC		DIST		REVISIONS			
A	66	P	LTM	DESCRIPTION	DATE	DMN	APVD
-	-	-	-	SEE SHEET 1	-	-	-

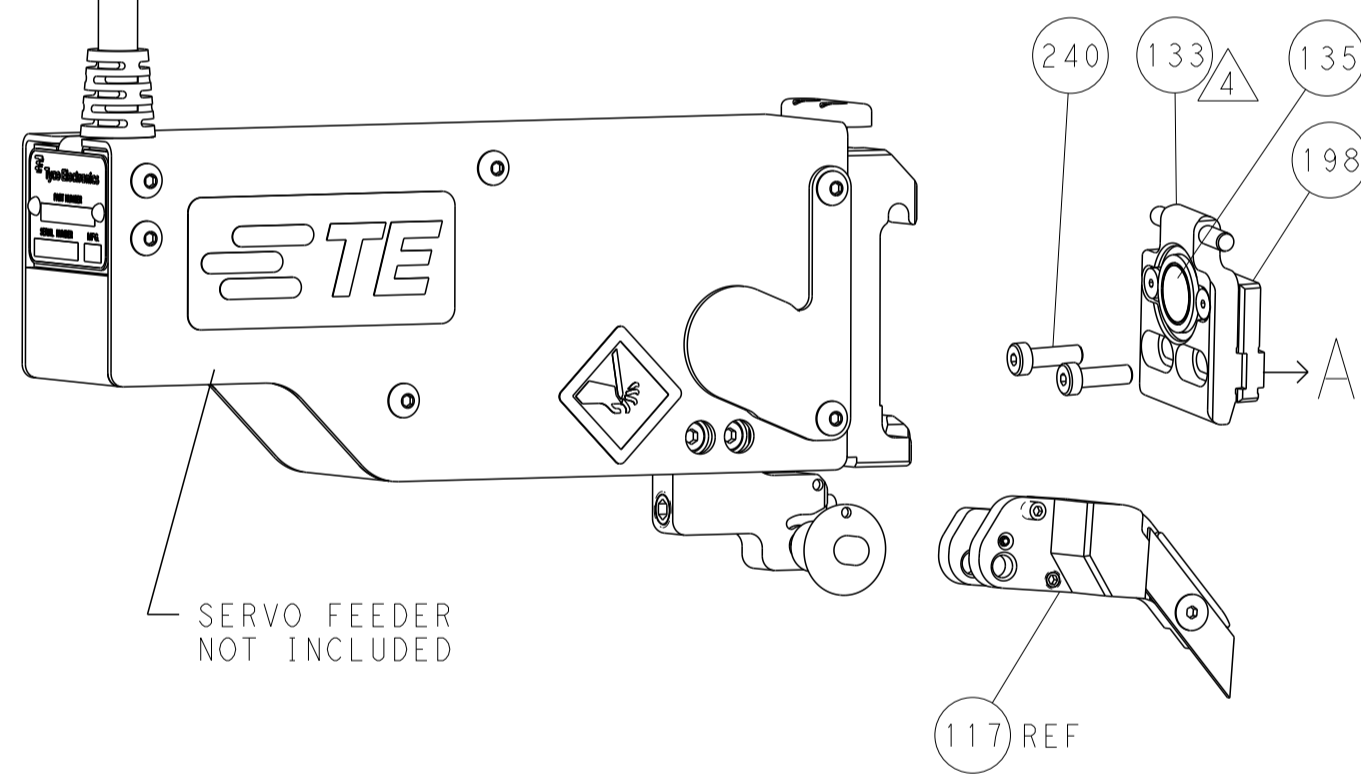
FEED TYPE MECHANICAL



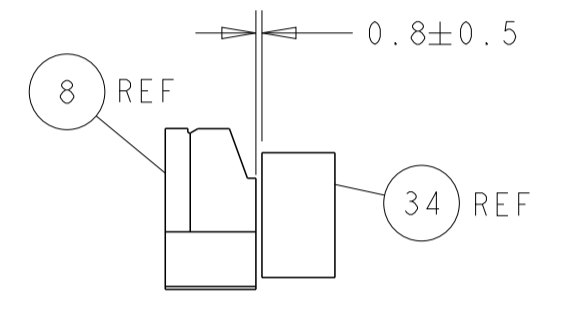
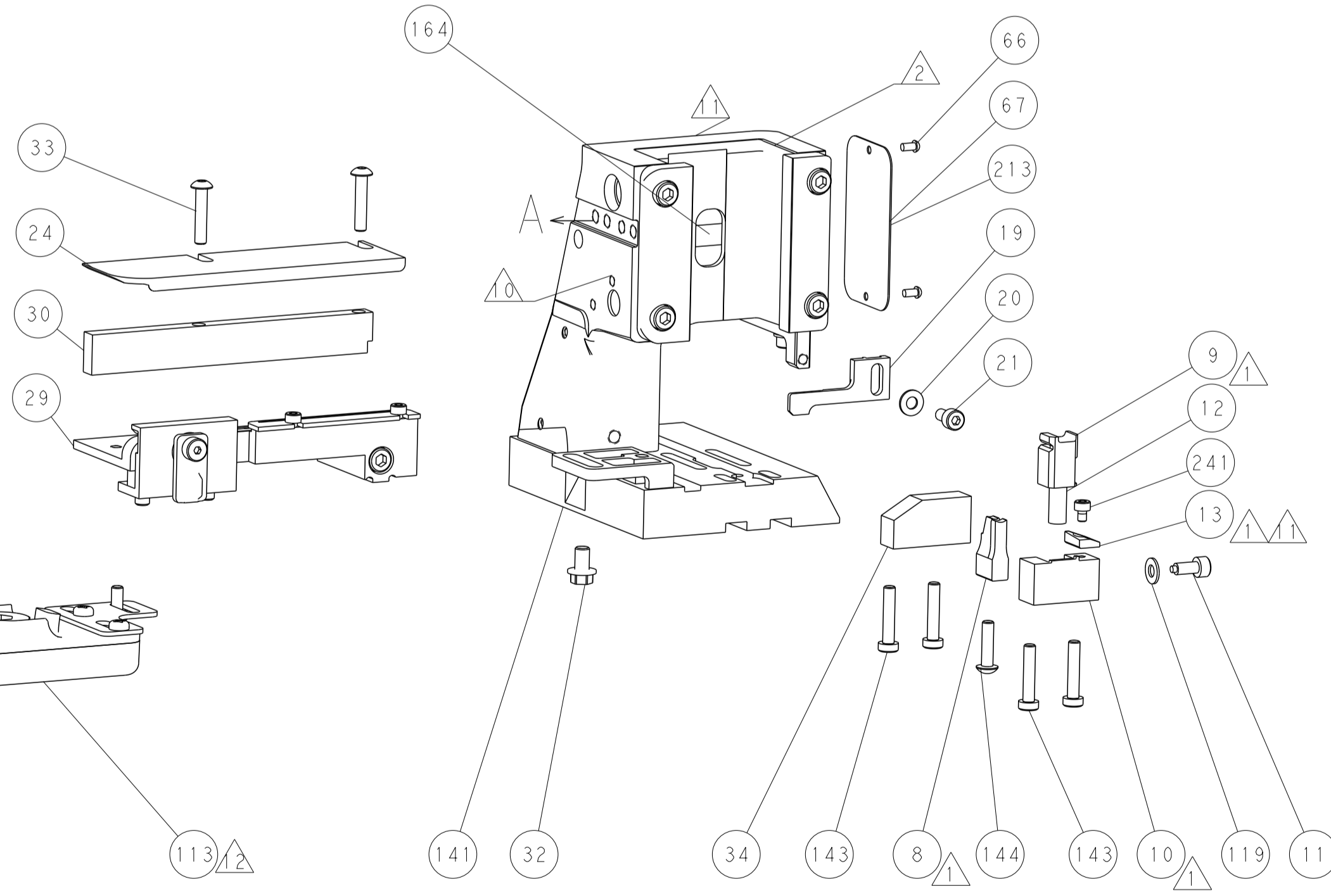
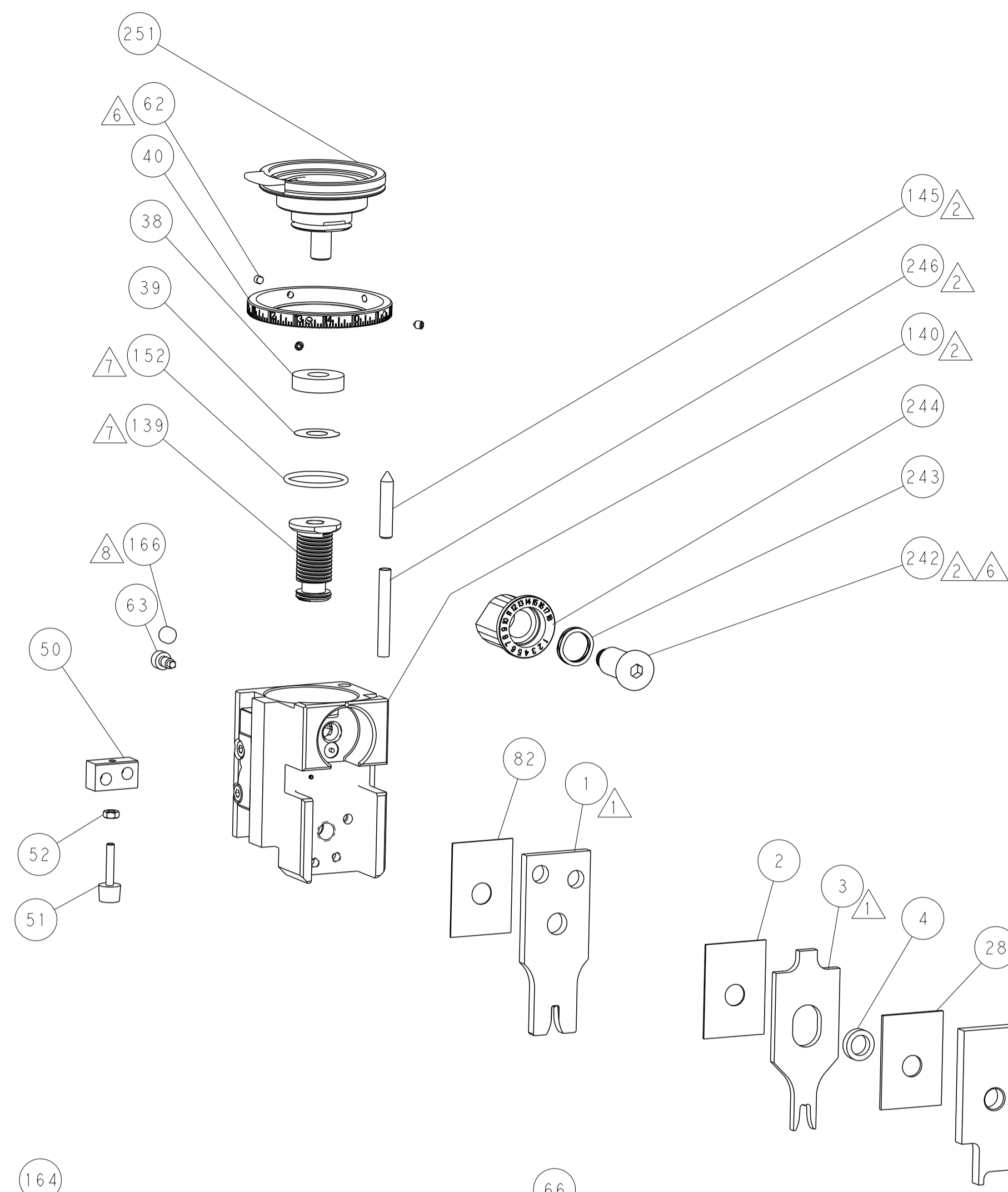
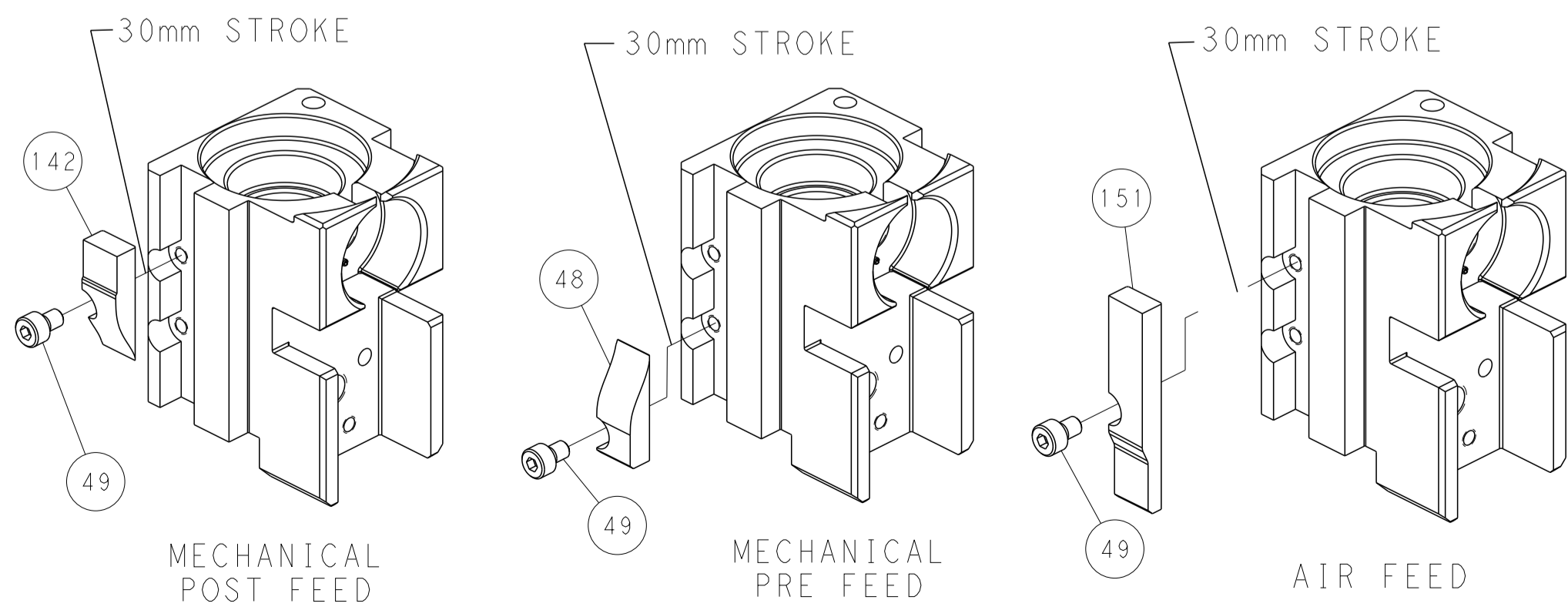
PNEUMATIC



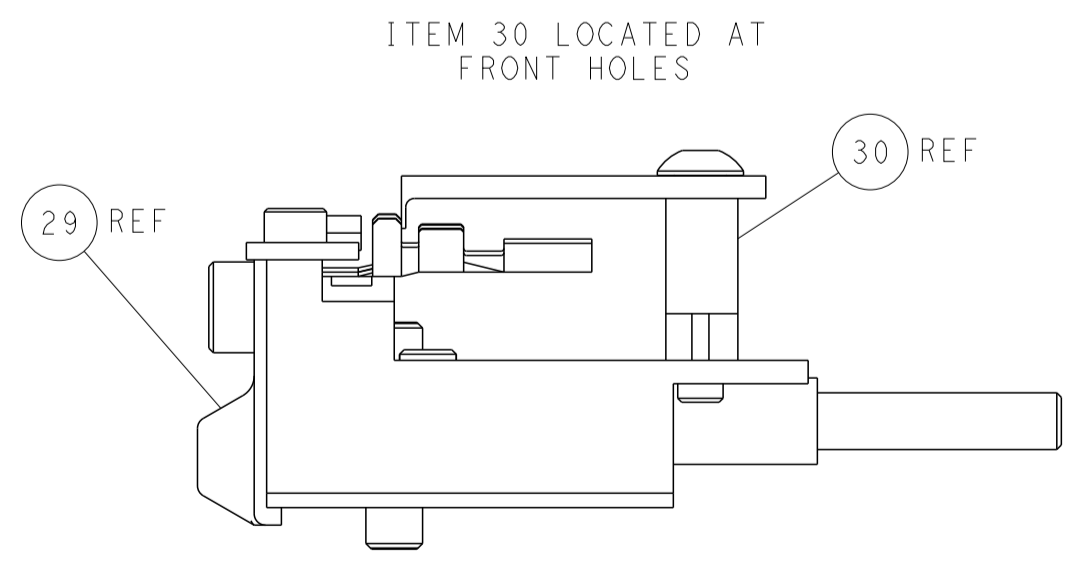
SERVO LATCH PLATE



CAM POSITIONS



TERMINAL SUPPORT LOCATION



FEED TRACK POSITION
GUIDE BY INSULATION BARREL

PACIFIC VERSION
 Shown on sheets 3 of 4 & 4 of 4
 (Atlantic version shown on sheets 1 of 4 & 2 of 4)

DIMENSIONS:		TOLERANCES UNLESS OTHERWISE SPECIFIED:		DWG: X. ZHAO 24JAN2013		CHK: L. ZHANG 24JAN2013		APVD: T. ELBIN 24JAN2013		NAME: Ocean Side Feed Applicator		
mm	0 PLC	±		SIZE	CAGE CODE	DRAWING NO	RESTRICTED TO	STE TE Connectivity Harrisburg, PA 17105-3608				
	1 PLC	±		A1		00779	©=2266067	Customer Accessible Production Drawing				
	2 PLC	±		SCALE		1:2	SHEET	4	OF	4	REV	B
	3 PLC	±										
	4 PLC	±										
	ANGLES	±										
	FINISH	±										