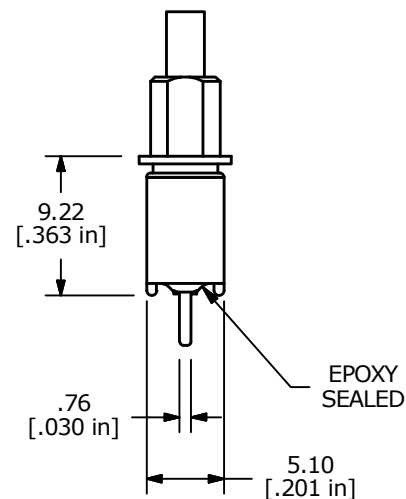
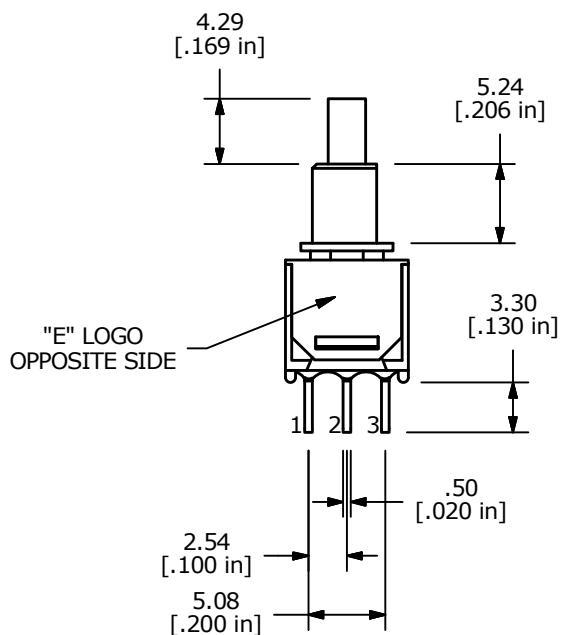


▲ SWITCH FUNCTION

POS. 1	POS. 2
ON	ON
2-1	2-3



NOTE:

1. ALL DIMENSIONS IN MM [INCH]
2. GENERAL TOLERANCE: X.X = ±0.4
X.XX = ±0.25
3. TERMINAL NUMBERS FOR REF ONLY
- ▲ 4. CONTACT MATERIAL: SILVER
5. RATING: 3A @120VAC OR 28VDC, 1A @250VAC
6. MECHANICAL LIFE: 6,000 MAKE-AND-BREAK CYCLES
7. CONTACT RESISTANCE: 50 mΩ MAX. INITIAL @ 2-4VDC
8. INSULATION RESISTANCE: 1,000 MEGA-OHM MIN @ 1000VDC
9. ELECTRIC STRENGTH: 1,000 V RMS @SEA LEVEL
10. OPERATING TEMP.: -30°C to 85°C
12. OPERATING FORCE: 350 ± 100gf
13. TRAVEL: 1.34 ±0.25mm
14. ▲ DENOTES CRITICAL PARAMETER
15. 2002/95/EC (ROHS) COMPLIANT



B	22430	add 1A @250VAC, remove thread callout	8/9/16	MW
A	22046	New-Release	11/10/15	rc
REV	PCR NO	DESCRIPTION	DATE	BY

TITLE 800CSP1B6M2QE				
SCALE 2:1	DATE 11/10/2015	DR rc	DWG T835001	REV B

THE INFORMATION CONTAINED IN THIS DOCUMENT IS PROPRIETARY TO E-SWITCH AND IS NOT TO BE COPIED OR TRANSFERRED