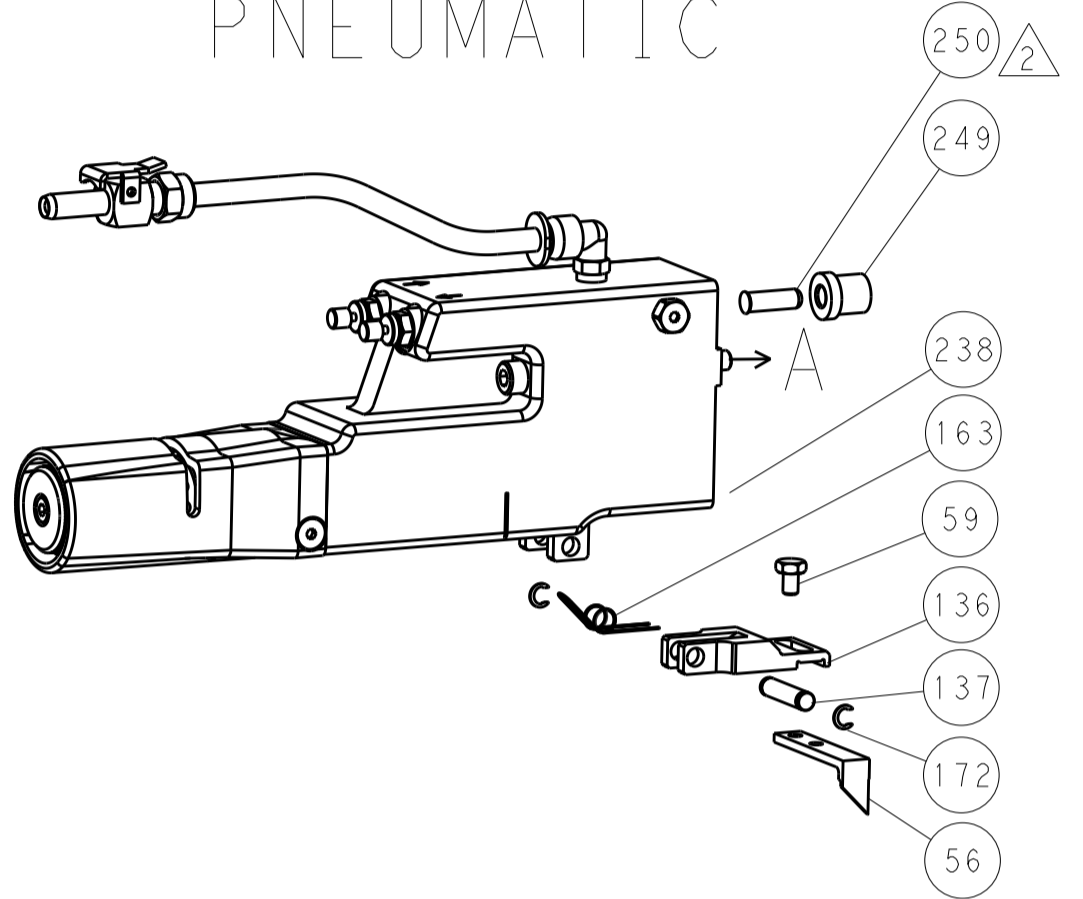


LOC	DIST	REV	DATE	BY	APPV
A	66				

FEED TYPE MECHANICAL



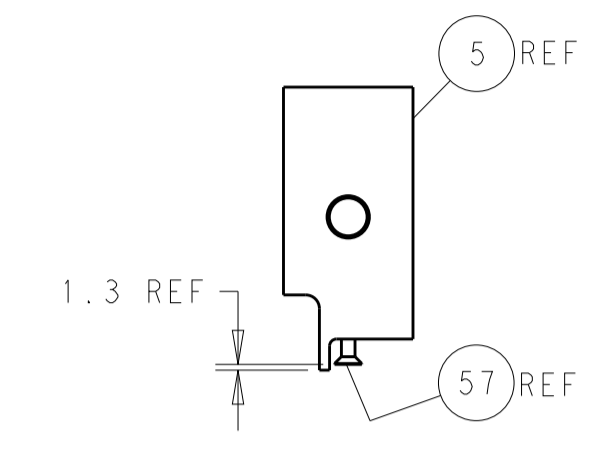
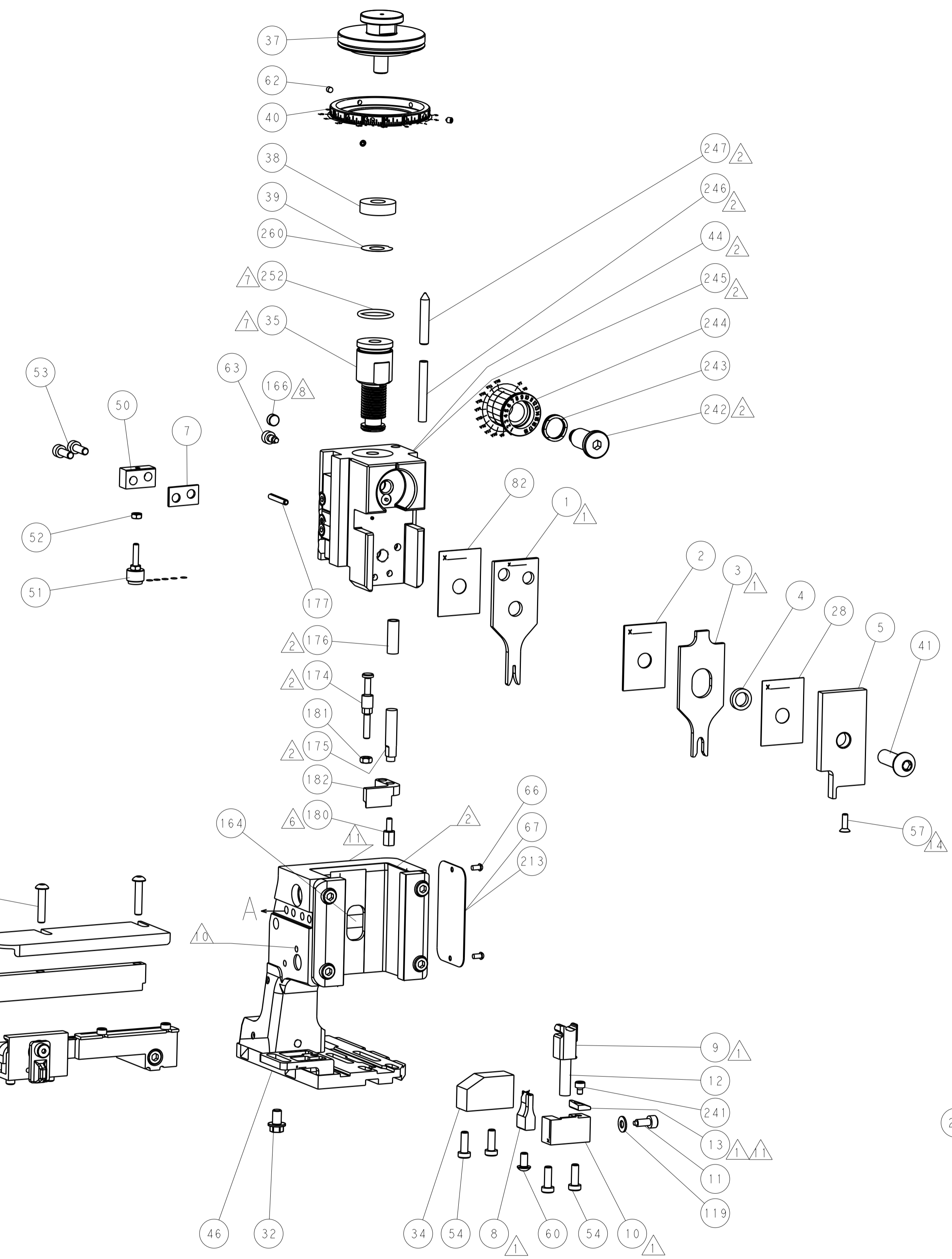
PNEUMATIC



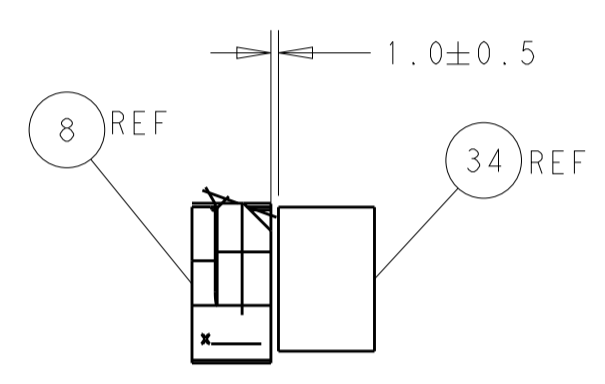
SERVO LATCH PLATE



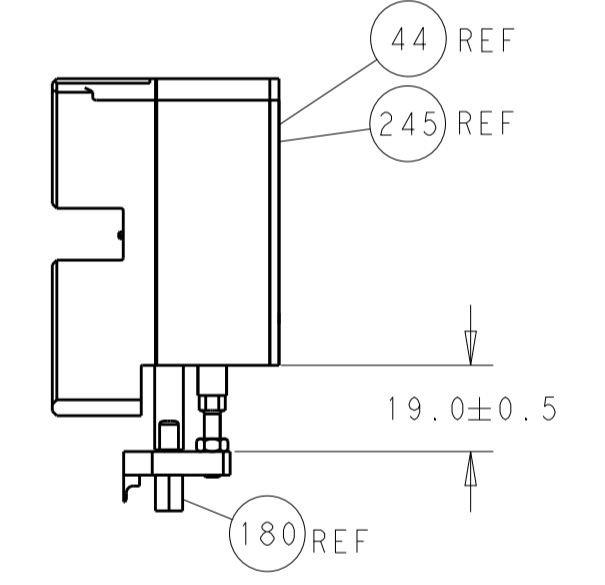
CAM POSITIONS



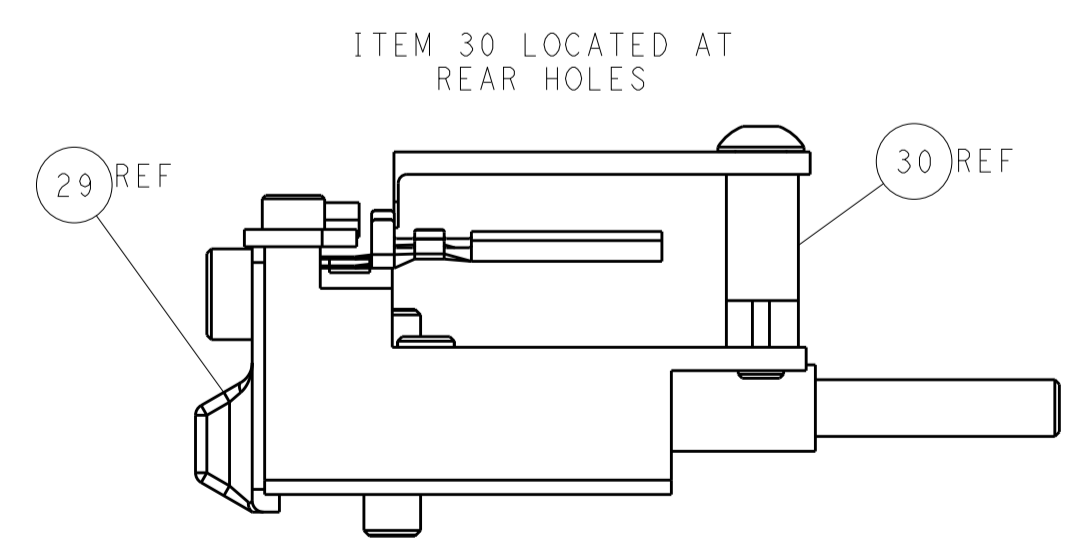
SHEAR DEPRESSOR DETAIL



TERMINAL SUPPORT LOCATION



HOLDDOWN SET-UP



FEED TRACK POSITION GUIDE BY INSULATION BARREL

ATLANTIC VERSION
 Shown on sheets 1 of 4 & 2 of 4
 (Pacific version shown on sheets 3 of 4 & 4 of 4)

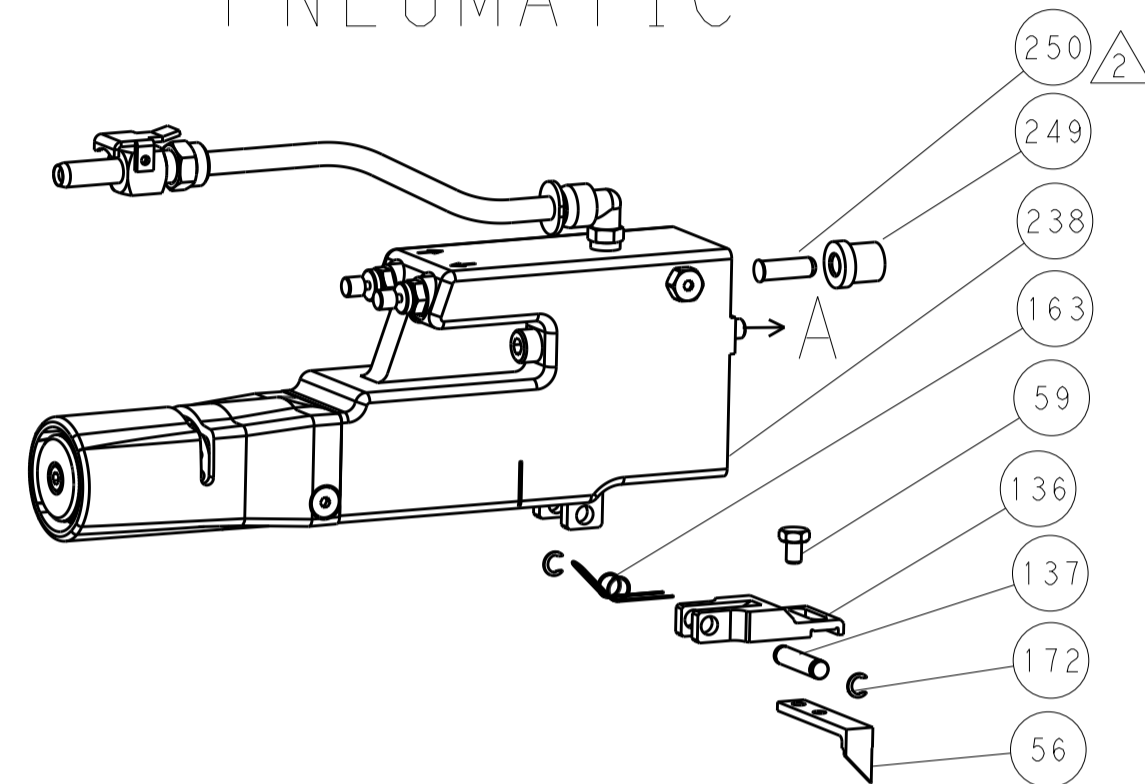
DIMENSIONS:		TOLERANCES UNLESS OTHERWISE SPECIFIED:		DWG		REV	
mm	0 PLC	±		X. ZHAO	13FEB2014		
	1 PLC	±		L. ZHANG	13FEB2014		
	2 PLC	±		T. ELBIN	13FEB2014		
	3 PLC	±					
	4 PLC	±					
	ANGLES	±					
MATERIAL	FINISH			NAME	Ocean Side Feed Applicator		
				SIZE	CAGE CODE	DRAWING NO	RESTRICTED TO
				A11	00779	2266208	
Customer Accessible Production Drawing				SCALE	1:2	SHEET	2 of 4
				REV	B		

REVISONS		DATE	OWN	APVD
LOC	DIST			
A	66			
P	LTM	DESCRIPTION		
-	-	SEE SHEET 1	-	-

FEED TYPE MECHANICAL



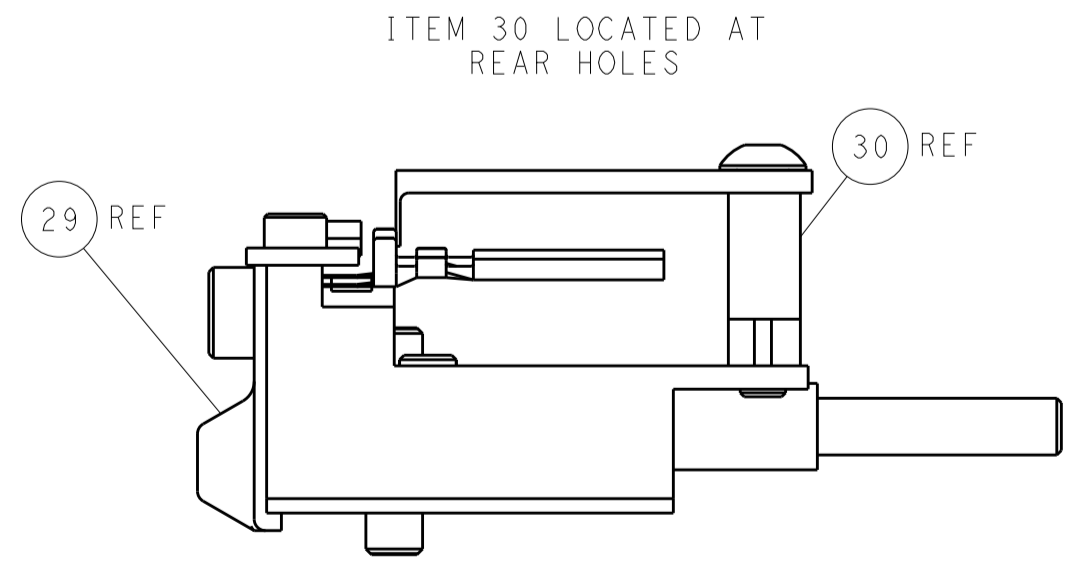
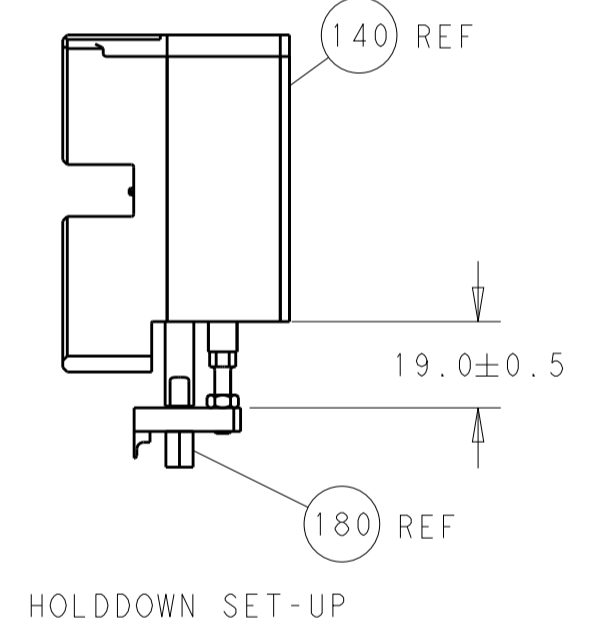
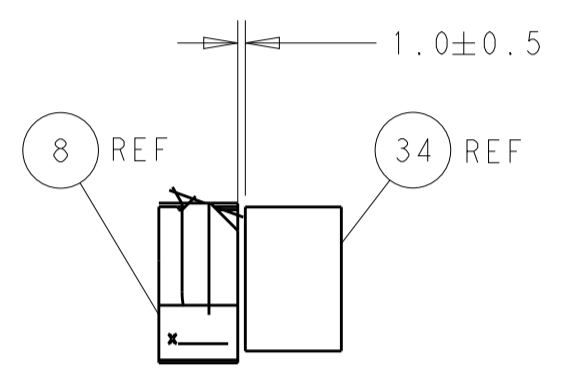
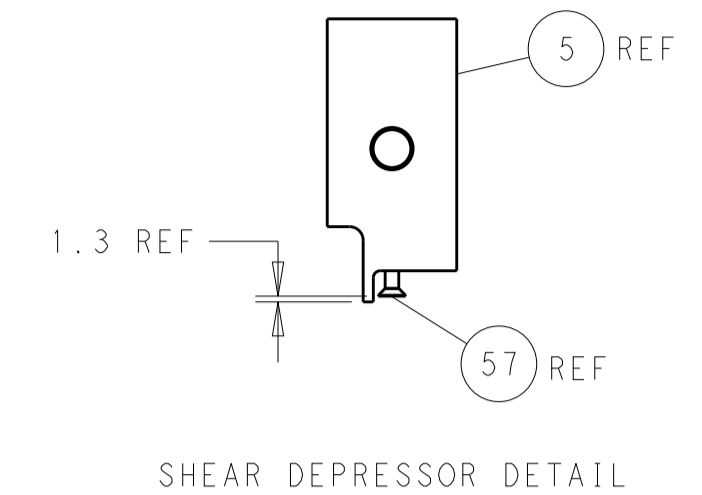
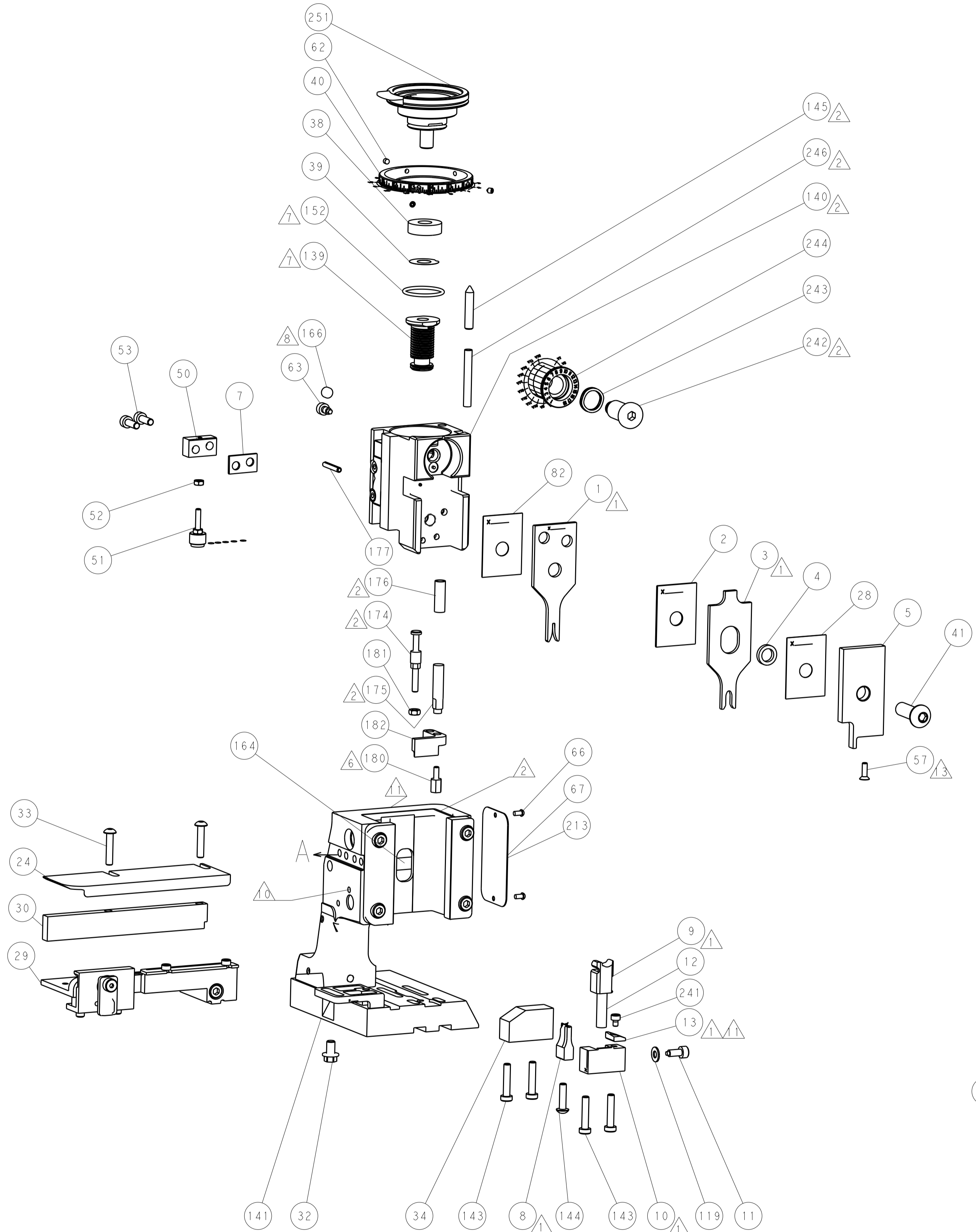
PNEUMATIC



SERVO LATCH PLATE



CAM POSITIONS



PACIFIC VERSION
 Shown on sheets 3 of 4 & 4 of 4
 (Atlantic version shown on sheets 1 of 4 & 2 of 4)

DIMENSIONS:		TOLERANCES UNLESS OTHERWISE SPECIFIED:		DWG: X. ZHAO 13FEB2014		TE Connectivity	
mm	0 PLC	±		CHK: L. ZHANG 13FEB2014	NAME: Ocean Side Feed Applicator		Harrisburg, PA 17105-3608
	1 PLC	±		APVD: T. ELBIN 13FEB2014	SIZE: A1		RESTRICTED TO
	2 PLC	±		PRODUCT SPEC	CAGE CODE: 00779		00779
	3 PLC	±		APPLICATION SPEC	DRAWING NO: 2266208		2266208
	4 PLC	±		SCALE: 1:2	SHEET 4 OF 4		REV B
MATERIAL:	FINISH:	WEIGHT:		Customer Accessible Production Drawing			