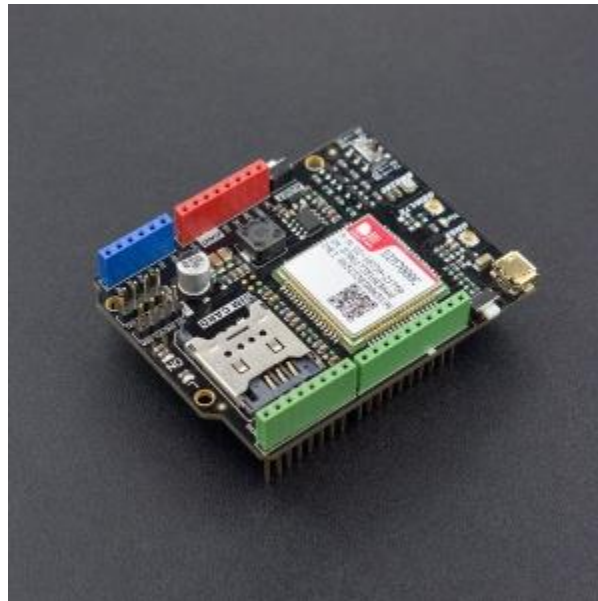




SIM7000C Arduino NB-IoT/LTE/GPRS Expansion Shield SKU: DFR0505



NB-IoT(Narrow Band-Internet of Things) technology is a new IoT technical branch and supports cellular data network connection of low power consumption device in WAN (Wide Area Network), which also called as LPWAN. NB-IoT operates in authorized frequency spectrum. It can be directly deployed to GSM, UMTS, LTE without any interference of current networks, while the bandwidth consumption is just about 180KHz.

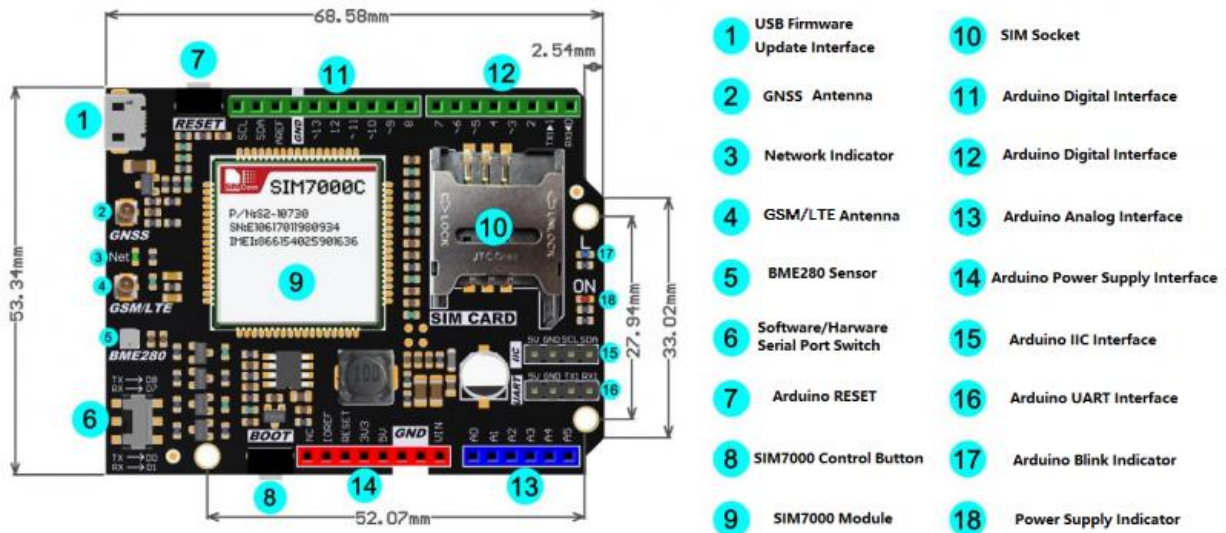
This SIM7000C Arduino NB-IoT/LTE/GPRS expansion shield is a wireless communication module produced by DFRobot and the design is based on SIMCom SIM7000C chip. This wireless communication module is designed for Arduino controllers, supporting multi-frequency LTE-FDD communication, dual-frequency GPRS/EDGE communication, NB-IoT communication. No matter prototype developments or small-batch productions, SIM7000C Arduino NB-IoT/LTE/GPRS expansion shield is the best solution to applications of low power consumption, low latency and middle-throughput. Besides onboard GNSS (Global Navigation Satellite System), SIM7000C supports American GPS, Russian GLONASS, European Galileo, Japanese QZSS and Chinese BeiDou Navigation Satellite System. It can be widely applied to IoT applications such as long distance control, moving tracking, long distance data uploading and shared bikes.

The SIM7000C Arduino NB-IoT/LTE/GPRS expansion shield supports both SIM card and NB-IoT card synchronously. You can plug in a common SIM card to achieve traditional GSM applications, such as make a phone call and send message. You can also plug in a NB-IoT card to realize NB-IoT data transmission. Besides, this expansion shield provides a BME280 environmental sensor. So it could be a prototype to develop NB-IoT projects, monitoring temperature, humidity and pressure.

Specification

- Input Voltage: 7~12VDC (VIN range: 6~20V)
- Communication Module: SIM7000C
- Single-Band TDD-LTE B39
- Quad-Band FDD-LTE B1/B3/B5/B8
- GPRS/EDGE 900/1800 MHz
- Output power
- GSM900: 2W
- DCS1800: 1W
- Control Via AT Commands
- Operation temperature: -40°C to +85°C
- GNSS (GPS, GLONASS, BeiDou, Compass, Galileo, QZSS)
- Firmware update via USB 2.0
- Support SIM card and NB-IoT card (NOTE: Please ensure the SIM frequency range been used is included in the frequency range it supported).
- BME280 Environmental Sensor
- Temperature Measuring Range: -40°C~+85°C, resolution of 0.1°C, deviation of ±0.5°C
- Humidity Measuring Range: 0~100%RH, resolution of 0.1%RH, deviation of ±2%RH
- Pressure Measuring Range: 300~1100hPa
- Humidity Sampling Time: 1s
- Operating Temperature : -30°C~+85°C
- Dimension: 2.1 x 2.7inch /53.4 x 68.6mm

Board Overview



NOTE:

Software/Hardware Serial Port Switch: Arduino UNO/Mega controllers connect USB with the hardware interface D0,D1 in default. So serial port conflicts are common when serial ports are used by the expansion shields. Considering these conflicts, SIM7000C Arduino NB-IoT/LTE/GPRS expansion shield equipped with a software serial port to communicate with Arduino. Learn more about Arduino SoftwareSerial Library.

Boot button connected to D12 in default to control program conveniently. You can pull up D12 for 2s to ON/OFF. SIM7000C ON will initialize to get ready to work in about 2s.

Tutorial(*Based on SIM7000 Library*)

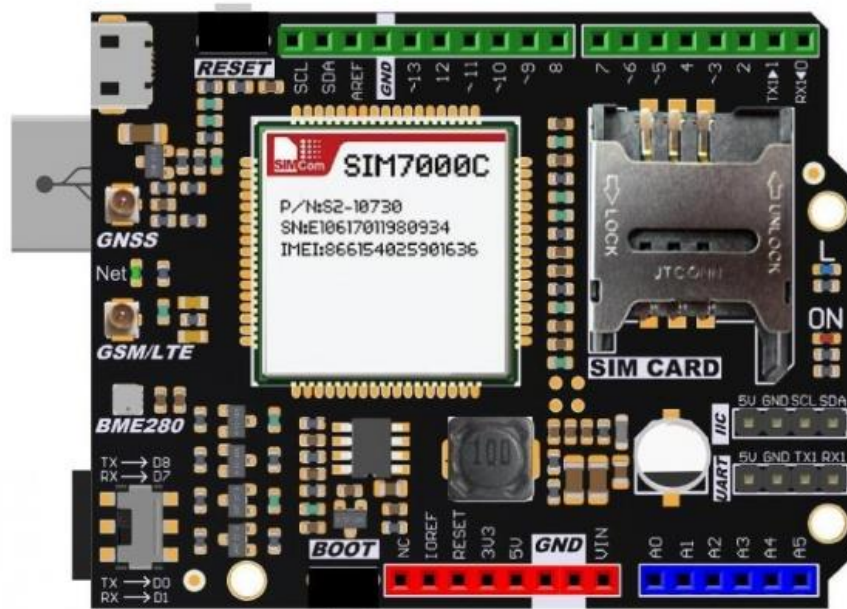
Requirements

- **Hardware**
- DFR0216 DFRduino UNO R3 - Arduino Compatible x1
- DFR0505 SIM7000C Arduino NB-IoT/LTE/GPRS Expansion Shield x1
- USB Wire x1
- 7V~12V DC Power Supply x1

- **Software**
- Arduino IDE, Click to Download Arduino IDE from Arduino®
- Please click to download NB-IoT SIM7000 Shield Library. How to install Libraries in Arduino IDE.

Connection Diagram

Plug the SIM7000C Arduino NB-IoT/LTE/GPRS Expansion Shield to DFRduino UNO R3 directly.



SIM7000C Arduino NB-IoT/LTE/GPRS Expansion Shield Connection Diagram

Sample Code

- Since Arduino UNO only has one hardware port, which will make a conflict with the other Serial device, DFRobot_SIM7000 Library will use **SoftwareSerial** as communication port. **Please turn the switch to the terminal "Tx>D8; Rx > D7"**.
- The program uses SIM7000 to achieve HTTP message interaction.

```
#include <Wire.h>
#include <DFRobot_SIM7000.h>

#define PIN_TX      7
#define PIN_RX      8
SoftwareSerial      mySerial(PIN_RX,PIN_TX);
DFRobot_SIM7000    sim7000;
static char        buff[350];

void setup(){
    int signalStrength,dataNum;
    Serial.begin(115200);
    sim7000.begin(mySerial);
```

```
sim7000.turnOFF();
delay(5000);
Serial.println("Turn ON SIM7000.....");
if(sim7000.turnON()){
//Turn ON SIM7000
    Serial.println("Turn ON !");
}
Serial.println("Set baud rate.....");
if(sim7000.setBaudRate(19200)){
//Set baud rate from 115200 to 19200
    Serial.println("Set baud rate:19200");
else{
    Serial.println("Faile to set baud rate");
    while(1);
}
Serial.println("Check SIM card.....");
if(sim7000.checkSIMStatus()){
//Check SIM card
    Serial.println("SIM card READY");
else{
    Serial.println("SIM card ERROR");
    while(1);
}
delay(500);
Serial.println("Set net mod.....");
if(sim7000.setNet(NB)){
//Set net mod NB-IOT
    Serial.println("Set NB-IOT mode");
else{
    Serial.println("Fail to set mode");
}
Serial.println("Get signal quality.....");
delay(500);
    signalStrength=sim7000.checkSignalQuality();
//Check signal quality from (0-30)
    Serial.print("signalStrength =");
```

```

Serial.println(signalStrength);
delay(500);
Serial.println("Attaching service.....");
if(sim7000.attachService()){
//Open the connection
    Serial.println("Attach service");
} else{
    Serial.println("Fail to Attach service");
    while(1);
}
delay(200);
Serial.println("Connecting.....");
if(sim7000.connect(TCP,"www.taobao.com",80)){
//Start Up TCP or UDP Connection
    Serial.println("Connect OK");
} else{
    Serial.println("Fail to connect");
    while(1);
}
sim7000.send("HEAD/HTTP/1.1\r\nHost:www.taobao.com\r\nConnection:keep-
alive\r\n\r\n"); //Send Data Through TCP or UDP Connection
dataNum=sim7000.recv(buff,350,0);
//Receive data
Serial.print("dataNum=");
Serial.println(dataNum);
Serial.println(buff);
delay(500);
if(sim7000.close()){
//End the connection
    Serial.println("Close connection");
} else{
    Serial.println("Fail to close connection");
}
delay(2000);
sim7000.turnOFF();
//Turn OFF SIM7000
}

```

```
void loop() {  
    delay(1000);  
}
```

- Function:
- Set software serial port. SIM7000 uses the software serial port to control TX to D8, RX to D7.

- `begin(Stream &s_)`

- Turn ON SIM7000 in a software way then Net indicator will blink. SIM7000C will initialize for about 2s. The function back to true when initialized successfully.

- `turnON();`

- Turn OFF SIM7000 in a software way then Net indicator will go out.

- `turnOFF();`

- Set baud rate of software serial port, SIM7000 serial port recognize 115200 baud rate in default. So we need to reset the baud rate to 19200 and below to avoid garbled. The function back to true when initialized successfully (other qualified baud rates are 9600, 4800, 2400, 1200).

- `setBaudRate(int rate);`

- Initialize AT commands and the function back to true when initialized successfully.

- `checkSIMStatus();`

- Set network mode and the function back to true when initialized successfully. Qualified modes: GPRS/GPRS-NB/NB-IOT

- `setNet(Net net);`

- Check signal strengths, the return value is the signal strength. Return=99 means no signal can be detected.

- `checkSignalQuality();`

- Start a connection service and the function back to true when connected successfully.

- `attachService();`

- Connect to network: select a connection protocol (TCP/UDP), domain name, port ID. The function back to true when initialized successfully.

- `connect(Protocol ptl, const char *host, int port);`

- Data transmission: send data to the server when connected. Data size can be specified or inputted directly.

- `send(const char *str);`
- `send(void* buf, size_t len);`

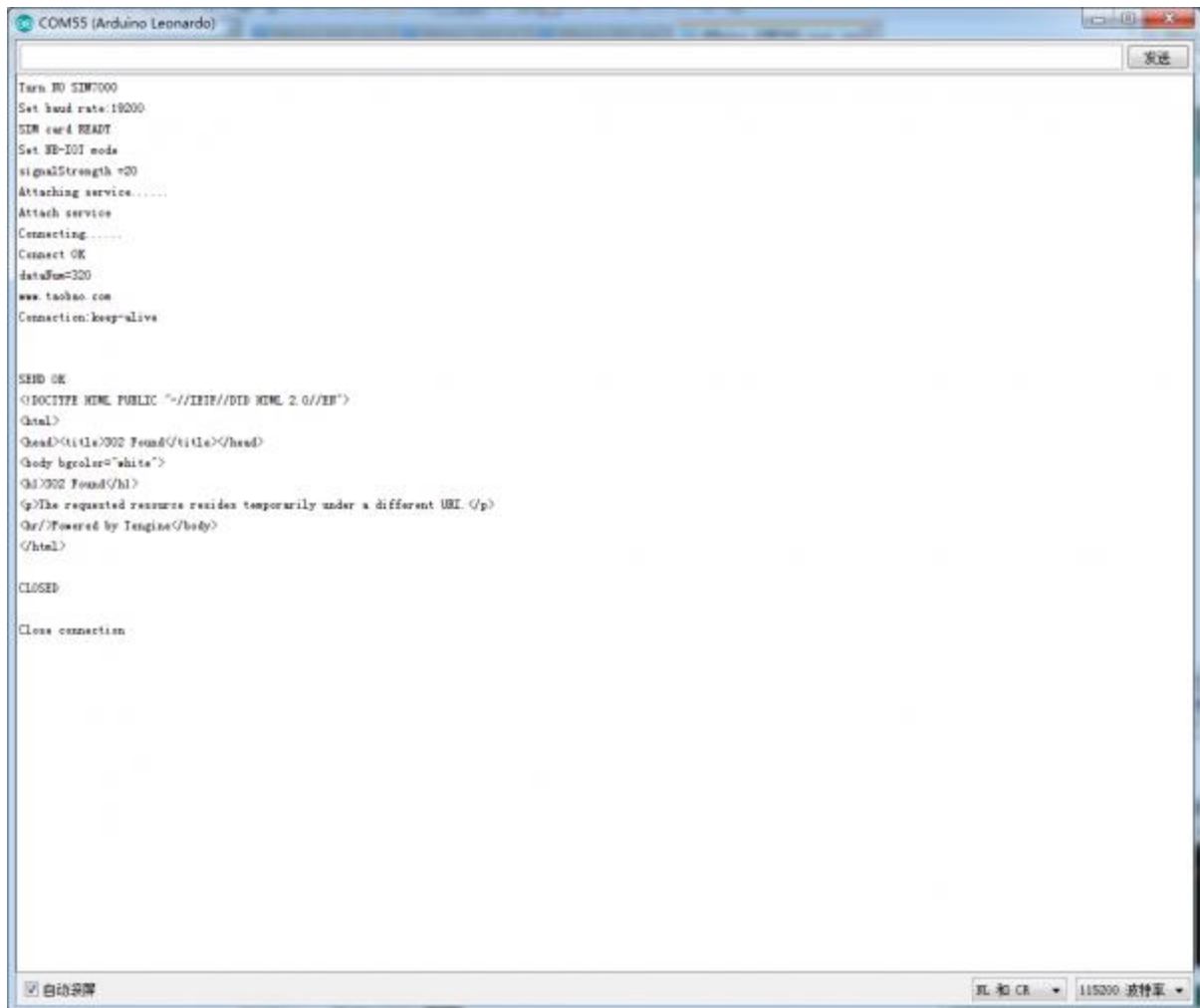
- Receive data: receive and save data from the server. The maximum data to receive and waiting time can be set. The result is the character value been received.

- `recv(char* buf, int maxlen, int timeout);`

- Disconnect and the function back to true.

- `close();`

- Project Display:



```
Turn ON SIM7000
Set baud rate:19200
SIM card READY
Set EB-T01 mode
signalStrength +20
Attaching service.....
Attach service
Connecting.....
Connect OK
dataSim=320
www.taobao.com
Connection:keep-alive

SEND OK
<DOCTYPE HTML PUBLIC "-//IETF//DTD HTML 2.0//EN">
<html>
<head><title>202 Found</title></head>
<body bgcolor="white">
<h1>202 Found</h1>
<p>The requested resource resides temporarily under a different URI. </p>
<hr/>Powered by Tengine</body>
</html>

CLOSED
Close connection
```

NBIOT-Project Display

Tutorial*(Based on AT Commands)*

Requirements

Same as SIM7000 library, please refers to the tutorial mentioned before.

Connection Diagram

Same as SIM7000 library, please refers to the tutorial mentioned before.

Sample Code

- SIM7000 NB-IoT Shield can be controlled by AT command through serial port and it recognizes 115200 baud rate in default. So we need to reset the baud rate to 19200 and below to avoid garbled. (The software serial port has an unreliable baudrate higher than 38400bps.)
- AT command must end with a CR&LF, shown as below:
- AT command list:

```
/*
 * File   : DFRobot_SIM7000_ATtest.ino
 * Power  : SIM7000 needs 7-12V DC power supply
 * Brief  : This example use the serial port to send AT command to control
 the SIM7000
 * With initialization completed, we can enter AT command to SIM7000 directly
 * Note   : If you use Mega please connect PIN8 PIN10 and set PIN_RX = 10
 * The AT command must end with CR&LF
 */
#include <DFRobot_SIM7000.h>

#define PIN_TX      7
#define PIN_RX      8
SoftwareSerial      mySerial(PIN_RX,PIN_TX);
DFRobot_SIM7000     sim7000;

void setup() {
    Serial.begin(115200);
    sim7000.begin(mySerial);
    sim7000.turnOFF();
    delay(5000);

    Serial.println("Turn ON SIM7000.....");
    if(sim7000.turnON()){
        Serial.println("Turn ON !");
    }
}
```

```

Serial.println("Set baud rate.....");
if(sim7000.setBaudRate(19200)){ //Set baud rate from
115200 to 19200
    Serial.println("Set baud rate:19200");
} else{
    Serial.println("Faile to set baud rate");
    while(1);
}

mySerial.begin(19200);
Serial.println("For example, if you type AT\\r\\n, OK\\r\\n will be re
sponsored!");
Serial.println("Enter your AT command :");
}

void loop() {
    mySerial.listen();
    while(mySerial.available()){
        Serial.write(mySerial.read());
    }

    mySerial.flush();
    while(Serial.available()){
        mySerial.write(Serial.read());
    }

    delay(20);
}

```

Input AT command to Uno serial port when the program runs and you can directly control SIM7000 with AT command. Click to download AT command sheet. Common AT command Introduction:

Common AT command Introduction

command	Introduction
AT+CNMP=?	<p>Preferred network mode selection</p> <p>Parameters <mode> 2 Automatic 13 GSM only 38 LTE only 51 GSM and LTE only AT+CNMP=2 indicates automatic network-searching mode. AT+CNMP=13 indicates only use GSM. AT+CNMP=38 indicates use compound "CAT-M1+NBIoT". AT+CNMP=51 indicates use compound "GSM+CAT-M1+NBIoT".</p>
AT+CMNB=?	<p>Preferred LTE network mode selection</p> <p>Parameters <mode> 1 CAT-M 2 NB-Iot 3 CAT-M and NB-IoT AT+CMNB=1 means set to CAT-M1 mode AT+CMNB=2 means set to NBIoT mode AT+CMNB=3 means set to compound CAT-M1 + NBIoT mode</p>
AT+CSQ	<p>Signal quality report</p> <p>Parameters <rssi> 0 -115 dBm or less 1 -111 dBm 2...30 -110... -54 dBm 31 -52 dBm or greater 99 not known or not detectable <ber> (in percent): 0...7 As RXQUAL values in the table in GSM 05.08 [20] subclause 7.2.4 99 Not known or not detectable</p>
AT+CGATT?	<p>Attach or detach from GPRS service</p> <p>Parameters <state> Indicates the state of GPRS attachment 0 Detached 1 Attached Other values are reserved and will result in an ERROR response to the Write Command.</p>
AT+CSST	Start task and set APN, user name, password
AT+CIFSR	Get local IP address
AT+CIPSTART="ptl","host","port"	<p>Start up TCP or UDP connection</p> <p><host>: connection domain name to input concrete domain name or IP address. <port> Remote server port</p>
AT+CIPSEND="len"	<p>Send data</p> <p>Len: data length , input date to be sent after return">".</p>
AT+CIPCLOSE	Close TCP or UDP Connection
AT+CIPSHUT	Deactivate GPRS PDP Context


```

void setup(){
    int signalStrength,dataNum;
    Serial.begin(115200);
    sim7000.begin(mySerial);
    sim7000.turnOFF();
    delay(5000);
    if(sim7000.turnON()){ //Turn
ON SIM7000
        Serial.println("Turn NO SIM7000");
    }
    if(sim7000.setBaudRate(19200)){ //Set b
aud rate from 115200 to 19200
        Serial.println("Set baud rate:19200");
    }else{
        Serial.println("faile to set baud rate");
    }
    while(1){
        if(sim7000.init()){ //Init
SIM7000
            Serial.println("AT command READY");
            break;
        }else{
            Serial.println("AT command ERROR");
            delay(500);
        }
    }
    while(1){
        if(sim7000.initPos()){
            Serial.println("Positioning function initialized");
            break;
        }else{
            Serial.println("Fail to init positioning function");
            delay(500);
        }
    }
}

```

```

}

void loop(){
    Serial.println("Enter anything to get positioning ");
    char loge[10];
    readSerial(loge);
    Serial.println("Getting position.....");
    if(sim7000.getPosition()){ //Get t
        he current position
            Serial.print("Longtude :");
            Serial.println(sim7000.getLongitude()); //Get l
            ongitude
            Serial.print("Latitude :");
            Serial.println(sim7000.getLatitude()); //Get l
            atitude
        }else{
            Serial.println("Wrong data try again");
        }
    }

int readSerial(char result[]){
    int i = 0;
    while(1){
        while(Serial.available() > 0){
            char inChar = Serial.read();
            if(inChar == '\n'){
                result[i] = '\0';
                Serial.flush();
                return 0;
            }
            if(inChar != '\r'){
                result[i] = inChar;
                i++;
            }
        }
    }
}

```

```
}
```

- Function:
- Initialize the position function. The function back to true when initialized successfully.

```
•   initPos();
```

- Get current position and the function back to true when initialized successfully.

```
•   getPosition();
```

- Get current longitude: the east one is a positive number and a west longitude is a negative number (-180,180).

```
•   getLongitude();
```

- Get current latitude: the east one is a positive number and a west longitude is a negative number (-90, 90).

```
•   getLatitude();
```

BME280 Environmental Data Monitoring

SIM7000C equipped with a BME280 environmental sensor, which recognize IIC connection in default. Please click to download the Arduino library file first before using.

Sample Code

```
/*!  
 * @file basicTestI2C.ino  
 * @brief DFRobot's Temperature, Pressure, Humidity and Approx altitude  
 * @n [Get the module here]  
 * @n This example read the Temperature, Pressure, Humidity and Altitude fr  
om BME280, and then print them  
 * @n [Connection and Diagram]  
 *
```



```
* @copyright [DFRobot](http://www.dfrobot.com), 2016
* @copyright GNU Lesser General Public License
*
* @author [yangyang]
* @version V1.0
* @date 2017-7-5
*/

#include <DFRobot_BME280.h>

#define SEA_LEVEL_PRESSURE 1013.25f
#define BME_CS 10

DFRobot_BME280 bme; //I2C

float temp, pa, hum, alt;

void setup() {
    Serial.begin(115200);

    // I2c default address is 0x76, if the need to change please modify bme.begin(Addr)
    if (!bme.begin()) {
        Serial.println("No sensor device found, check line or address!");
        while (1);
    }

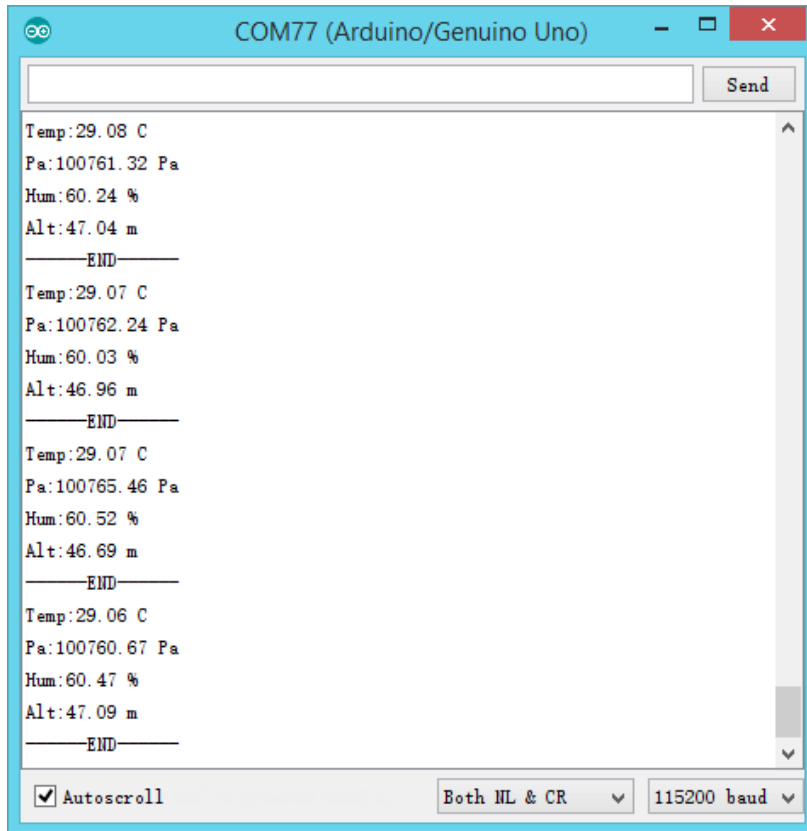
    Serial.println("-- BME280 DEMO --");
}

void loop() {
    temp = bme.temperatureValue();
    pa = bme.pressureValue();
    hum = bme.humidityValue();
    alt = bme.altitudeValue(SEA_LEVEL_PRESSURE);
}
```

```
Serial.print("Temp:");  
Serial.print(temp);  
Serial.println(" C");  
  
Serial.print("Pa:");  
Serial.print(pa);  
Serial.println(" Pa");  
  
Serial.print("Hum:");  
Serial.print(hum);  
Serial.println(" %");  
  
Serial.print("Alt:");  
Serial.print(alt);  
Serial.println(" m");  
  
Serial.println("-----END-----");  
  
delay(1000);  
}
```



NOTE: DFRobot_BME280 bme // IIC sentence mentioned in the sample code is to initialize IIC drive.



SIM7000C Arduino NB-IoT/LTE/GPRS Expansion Shield IIC Adjustment

Compatibility Test

MCU	Pass	Failed	Not Tested	Remark
Arduino Uno	√			
Arduino Leonardo	√			
Arduino Mega1280	√			Connect D8 to D10
Arduino Mega2560	√			Connect D8 to D10

For any questions, advice or cool ideas to share, please visit the **DFRobot Forum**.

More Documents

- [Circuit Diagram and Dimension](#)
- [SIM7000 Hardware Design Manual](#)
- [SIM7000 AT Command Manual V1.01](#)
- [SIM7000 Specification](#)
- [BME280 Datasheet](#)