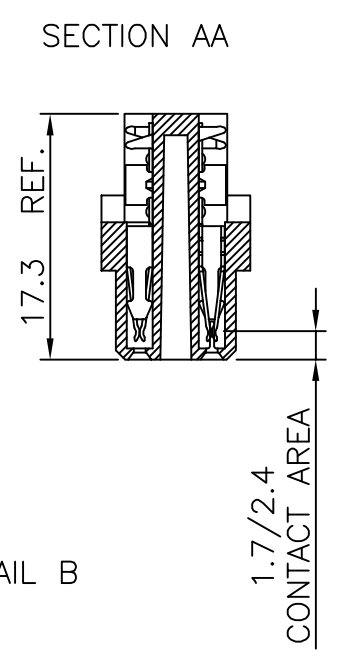
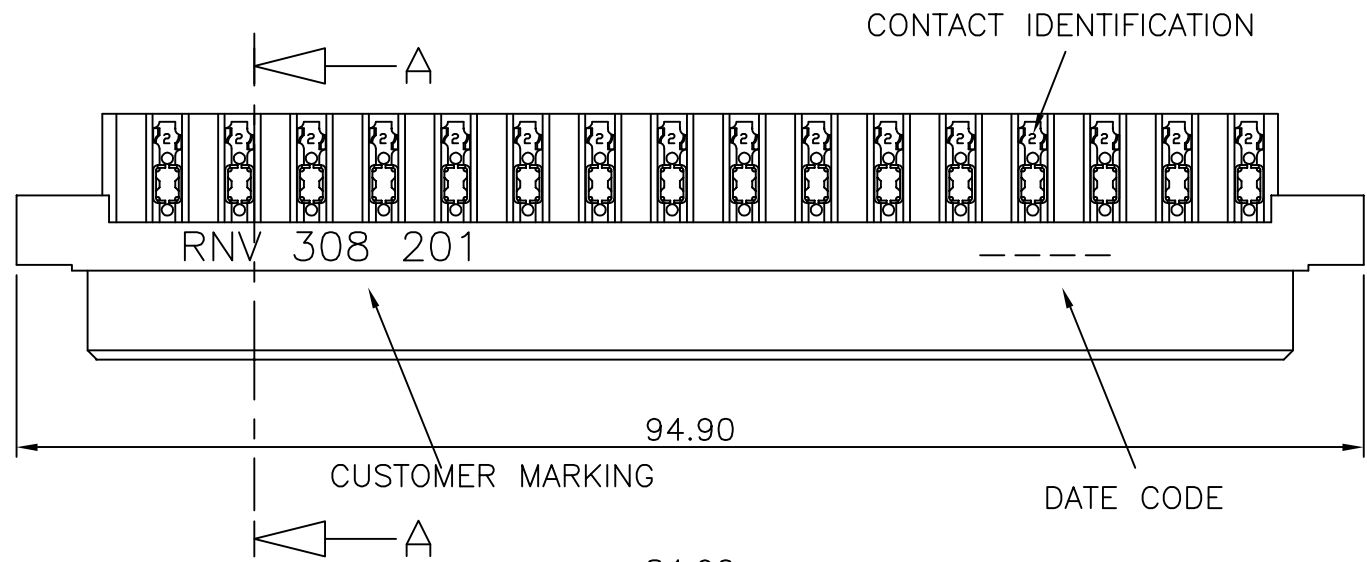
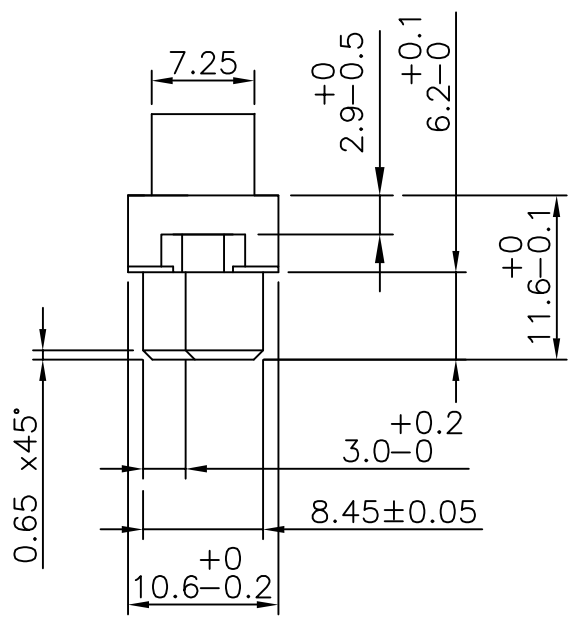


PRODUCT NUMBER BPS8B96KKD200L9 ← LEADED PRODUCT

PRODUCT NUMBER BPS8B96KKD200L9LF ← LEAD FREE OR RoHS COMPATIBLE PRODUCT



CONTACT ARRANGEMENT

- CAVITIES EQUIPPED WITH CONTACTS
- CAVITIES WITHOUT CONTACTS

PERFORMANCES CHARACTERISTICS

VOLTAGE RATING : 250 VAC (rms)
 CURRENT RATING : 1,5 A AT 25 °C, 1 A AT 70 °C.
 INSULATION RESISTANCE : 1000 MΩ INITIAL, 100 MΩ MIN. AFTER TEST
 DIELECTRIC WITHSTANDING VOLTAGE : 1000 VAC (rms).
 CONTACT RESISTANCE : 15 mΩ MAX. INITIAL, 5 mΩ MAX. RISE OF INITIAL VALUE AFTER TEST.
 OPERATING TEMPERATURE*: -40 °C TO +125 °C.
 INSERTION FORCE : 1 N MAX./CONTACT.
 WITHDRAWAL FORCE : 0,2 N MIN./CONTACT.
 *DEPENDING ON THE CABLE, THE MAX. TEMPERATURE CAN BE LOWER. FOR STANDARD PVC INSULATED CABLE : 105 °C MAX.

CONSTRUCTION

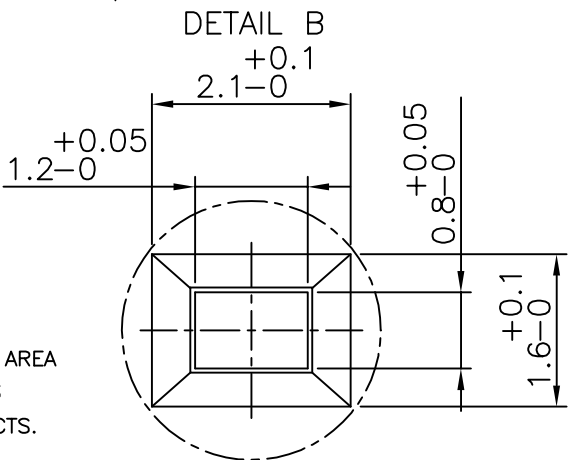
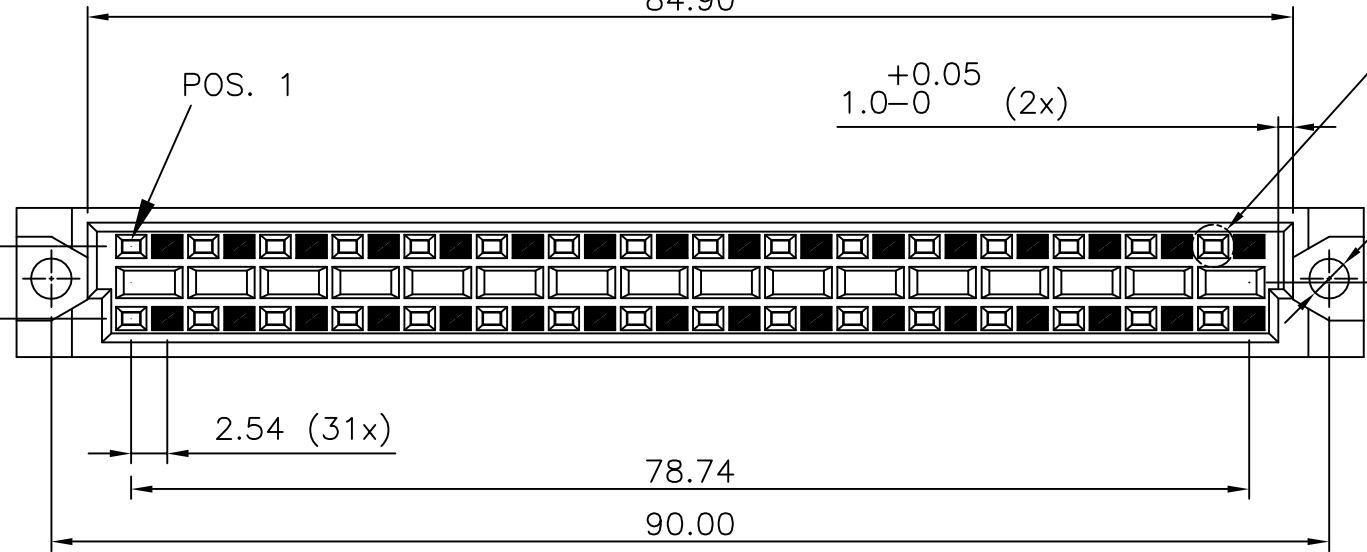
BODY MATERIAL : GLASS-REINFORCED THERMOPLASTIC (UL94V-0).
 CONTACT MATERIAL : PHOSPHOR BRONZE.
 CONTACT FINISH : 1.25 μm Au MIN. OVER 2 μm Ni MIN. IN CONTACT AREA
 3μm MAX. SnPb OVER Ni ON I.D.C TERMINAL FOR LEADED PRODUCTS
 Sn (MATTE TIN) OVER Ni ON I.D.C TERMINAL FOR LEAD FREE PRODUCTS.
 CABLE : AWG24 & AWG26 (CONTACT IDENTIFICATION = 2)

CUSTOMER MARKING

PARTNUMBER ERICSSON : RNV 308 201

DATECODE MARKING

YEAR & WEEKCODE, EXAMPLE : 9950.
 OTHER REQUIREMENTS IN ACC. WITH : ERICSSON SPEC. 1301-RNV 308 Uen



NOTES:-
 1. THE "LF" PRODUCTS MEET EUROPEAN UNION DIRECTIVES AND OTHER COUNTRY REGULATIONS AS DESCRIBED IN GS-22-008
 2. LEAD FREE OR RoHS DIRECTIVE LABELING TO BE PROVIDED AS PER GS-14-920 FOR RoHS COMPATIBLE VERSION.

mat'l. code		surface		tolerance		projection		product family	
SEE NOTE		ISO 1302		ISO 406 ISO 1101				BPS8	
litr		ecn no		dr		date		title	
A		F00819		DLE		2000-10-18		ASSY BPS8	
B		105-0156		MINI		2005-09-06		96 POS. A,C LOADED SPECIA	
C		106-0067		MINI		2006-06-01		dwg no	
								sheet 1 of 1	
								size	
								A3	
								type	
								Product Customer Drawing	
sheet index		revision		C					
		sheet		1					

Copyright FCI
 FCIconnect.com